

[HIRE](#)
[SALES](#)
[SERVICE](#)
[LEASE](#)
[TRANSPORT](#)

MC-X 25-4 FORKLIFT

2.5T DIESEL ROUGH TERRAIN FORKLIFT



Technical characteristics

1.1	Manufacturer
1.2	Model Name
1.3	Power source
1.4	Operator type
1.5	Max. capacity
1.6	Load centre of gravity
1.8	Load distance, centre of drive axle to fork
1.9	Wheelbase

Q

c

x

y

Metric

Manitou
MC-X_25-4
Diesel
Seated
2500 kg
500 mm
621 mm
1900 mm

Weight

2.1	Service weight
2.2	Weight on front axle (laden) / rear axle (laden)
2.3	Weight on front axle (Unladen) / rear axle (Unladen)

4035 kg
5550 kg / 985 kg
1575 kg / 2460 kg

Wheels

3.1	Tyres type
3.2	Dimensions of front wheels
3.3	Dimensions of rear wheels
3.5	Number of front wheels / rear wheels
3.5.2	Number of drive wheels
3.6	Front wheel gauge
3.7	Rear wheel gauge

Pneumatic
12,5/80-18/12 SL R4
27x10-12 SKS
2 / 2
4
1159 mm
1176 mm

Dimensions

4.1	Tilt of Mast Forward (deg) / Backward (deg)
4.7	Height of overhead guard (cabin)
4.7	Overall height of low overhead guard (Buggy version)
4.8	Seat height/stand height
4.19	Overall length
4.20	Length to face of forks
4.21	Overall width
4.22	Forks section / width / length
4.23	Fork carriage ISO 2328 (class/form) A/B
4.24	Fork carriage width
4.31	Ground clearance below mast
4.32	Ground clearance at centre of wheelbase
4.35	Turning radius

α / β

h6

h6*

h7

l1

l2

b1

s / e / l

b3

m1

m2

Wa

10 / 12
2155 mm
1990 mm
1094 mm
4195 mm
3045 mm
1450 mm
40 mm x 122 mm / 1150 mm
FEM 2A
1260 mm
300 mm
310 m
3405 m

Performances

5.1	Travel speed (laden / unladen)
5.2	Lifting speed (laden / unladen)
5.3	Lowering speed (laden / unladen)
5.10	Service brake

12 km/h / 24.9 km/h

0.47 m/s / 0.46 m/s

0.5 m/s / 0.3 m/s

Hydraulic brakes by loss of pressure

Engine

7.1	Engine brand / model
7.2	Engine power according to ISO 1585
7.3	Rated speed
7.4	Number of cylinders / Capacity of cylinders
7.5	Fuel consumption according to VDI cycle

Kubota / V2403

36 kW

2700 rpm

4 - 2434 cm³

6 l/h

Miscellaneous

8.1	Type of drive control
8.2	Working hydraulic pressure for attachments
8.3	Oil flow rate for attachments
8.4	Measured/guaranteed mean noise level at the ear of the operator

Cable

180 Bar

53 l/min

< 82 dB(A)

[WA](#)
[NT](#)
[QLD](#)
[NSW](#)
[VIC](#)
[SA](#)

HIRE

SALES

SERVICE

LEASE

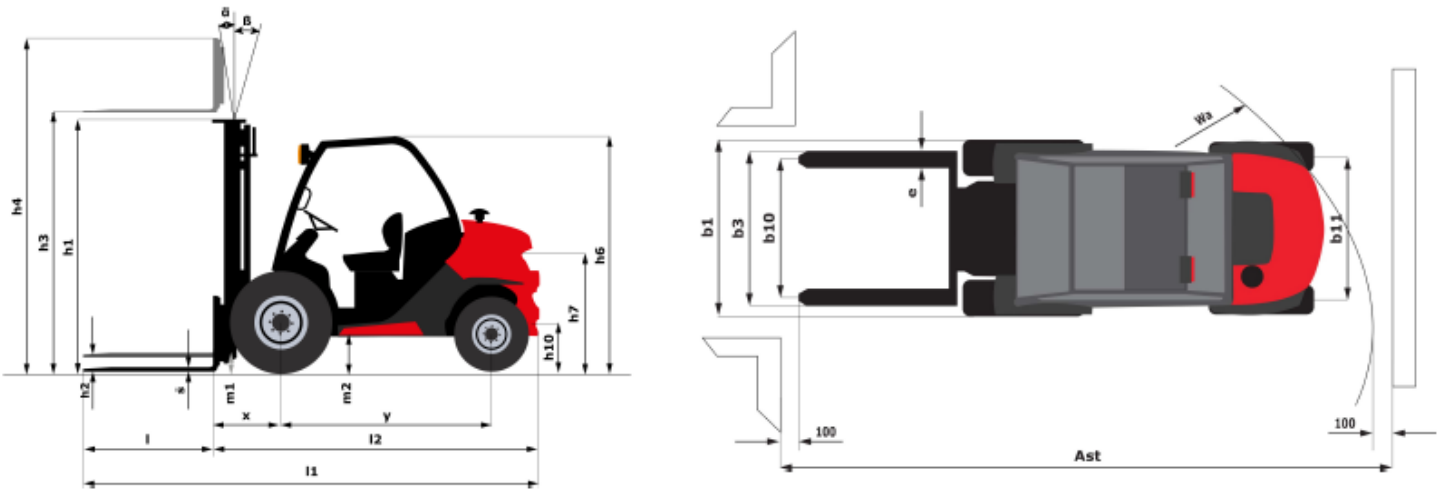
TRANSPORT

MC-X 25-4 FORKLIFT

2.5T DIESEL ROUGH TERRAIN FORKLIFT



Dimensional drawing



Characteristics of masts and residual capacities

Full Visibility Duplex	FVD 33	FVD 37	FVD 45	
h2 - Free lift	mm	112	112	112
h1 - Height mast lowered *	mm	2338	2598	3038
h3 - Lifting Height	mm	3300	3700	4500
h4 - Height mast extended *	mm	4090	4490	5290
α / β - Mast inclination (front / rear)	°	10 / 12	10 / 12	10 / 12

Free Lift Triplex	FLT 34	FLT 37	FLT 40	FLT 43	FLT 47	FLT 55	
h2 - Free lift	mm	1210	1310	1410	1510	1660	1920
h1 - Height mast lowered *	mm	1988	2088	2188	2338	2438	2788
h3 - Lifting Height	mm	3400	3700	4000	4300	4700	5500
h4 - Height mast extended *	mm	4236	4536	4836	5168	5536	6408
α / β - Mast inclination (front / rear)	°	10 / 12	10 / 12	10 / 12	10 / 12	10 / 12	6 / 6

Full Visibility Triplex	FVT 33	
h2 - Free lift	mm	124
h1 - Height mast lowered *	mm	1878
h3 - Lifting Height	mm	3300
h4 - Height mast extended *	mm	4079
α / β - Mast inclination (front / rear)	°	10 / 12

WA

NT

QLD

NSW

VIC

SA