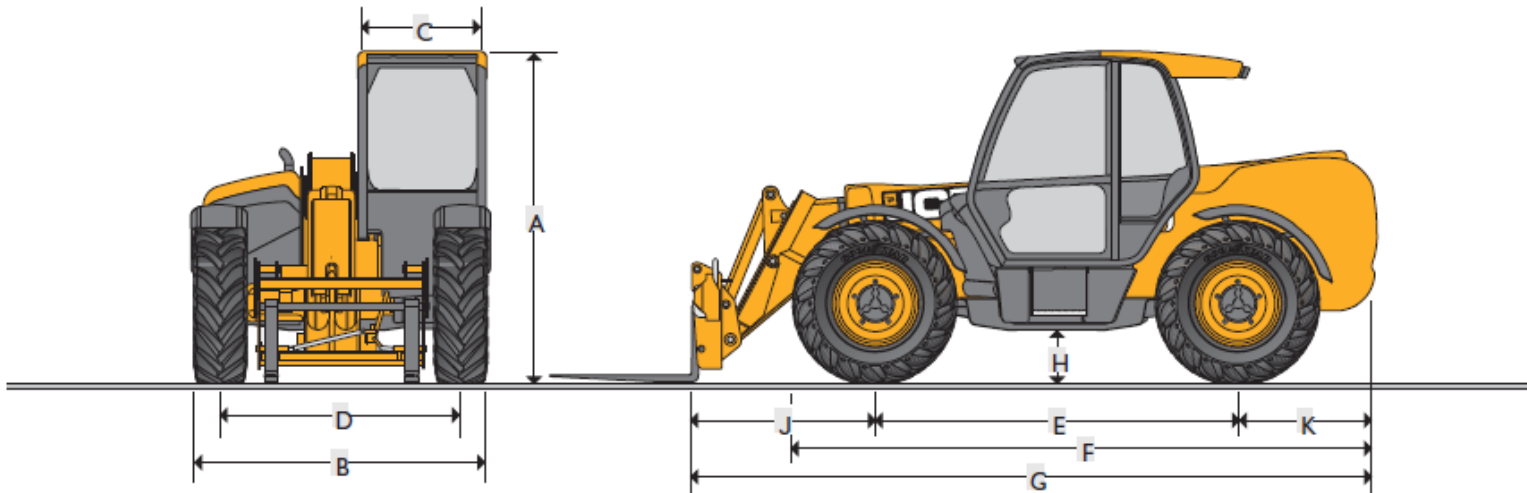


540-180 HI-VIZ TELEHANDLER

4.0T DIESEL TELEHANDLER INDUSTRIAL (18.0M)



STATIC DIMENSIONS



STATIC DIMENSIONS

Machine model		540-140 HiViz	540-170	540-180 HiViz	540-200	
A	Overall height	m	2.59	2.69	2.59	2.72
B	Overall width (over tyres)*	m	2.35	2.44	2.35	2.44
C	Inside width of cab	m	0.94	0.94	0.94	0.94
D	Front track	m	1.90	1.90	1.90	1.97
E	Wheelbase	m	2.75	2.75	2.75	2.75
F	Overall length to front tyres	m	4.74	5.08	4.75	5.09
G	Overall length to front carriage	m	6.23	6.36	6.27	6.81
H	Ground clearance	m	0.40	0.40	0.40	0.41
J	Front wheel centre to carriage	m	2.11	1.94	2.15	2.39
K	Rear wheel centre to rear face	m	1.37	1.67	1.37	1.67
	Overall width with stabilisers fully deployed	m	2.57	3.55	3.39	3.82
	Outside turn radius (over tyres)	m	3.75	4.10	3.75	4.1
	Carriage rollback angle	degrees	37.0	39	36.50	39
	Carriage dump angle	degrees	12.5	8.8	12.50	8.8
	Weight	kg	10880	12060	11380	12985
	Tyres		15.5/80-24	15.5/80-24	15.5-25	17.5-25

* Type dependent

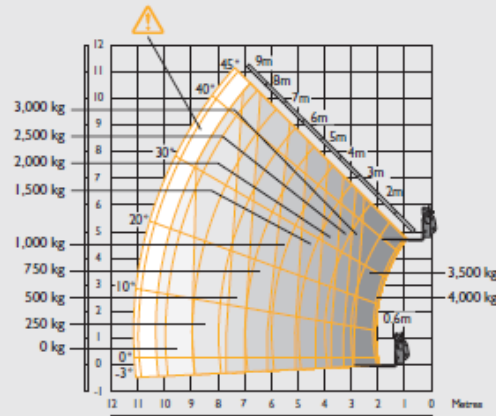
540-180 HI-VIZ TELEHANDLER

4.0T DIESEL TELEHANDLER INDUSTRIAL (18.0M)

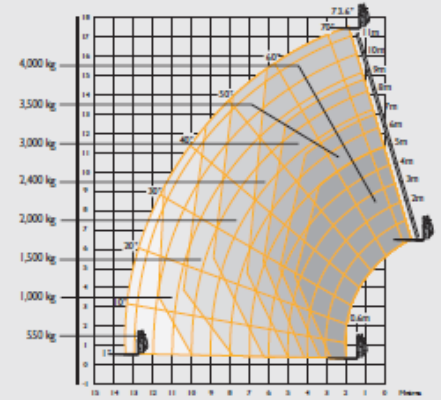


LIFT PERFORMANCE

540-180 HiViz Stabilisers retracted Sway



540-180 HiViz Stabilisers extended Sway



Maximum lift capacity	kg	4000	4000
Lift capacity to full height	kg	500	2400
Lift capacity at full reach	kg	0	250
Lift height	m	10.69	17.51
Reach at maximum lift height	m	6.92	1.88
Maximum forward reach	m	10.47	13.34
Reach with 1 tonne load	m	6.25	11.72
Placing height	m	10.0	17.0

Complies with stability test EN 1459 Annex B. Chassis Levelling (Sway) with stabilisers retracted (Sway angle $\pm 9^\circ$).