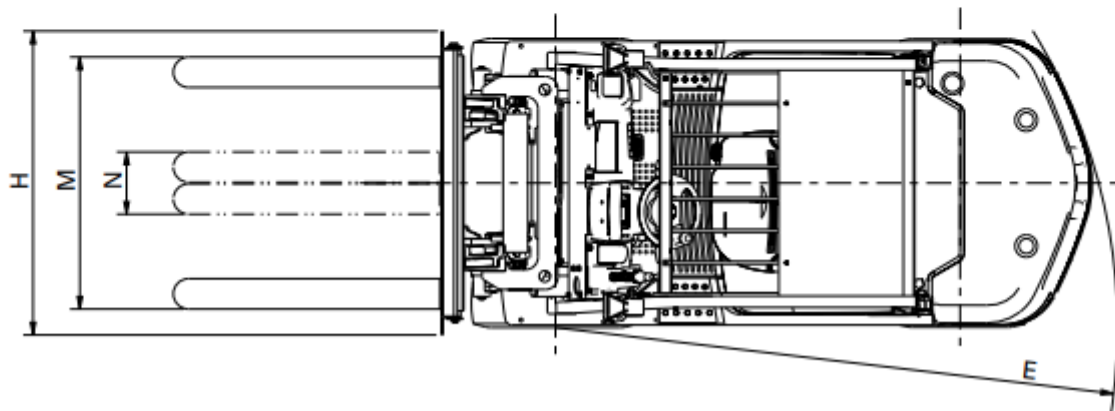
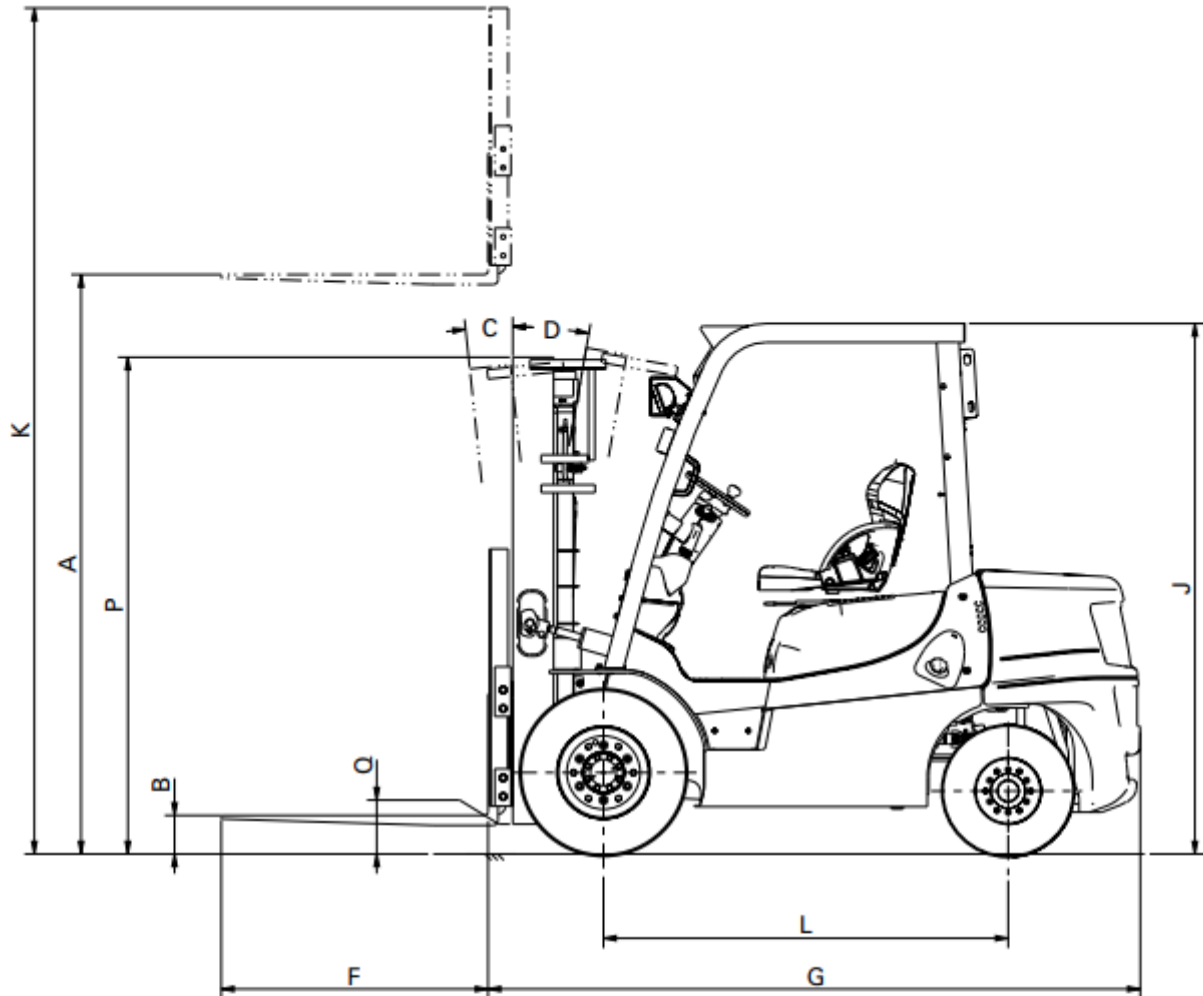


## H3.0XT FORKLIFT

3.0T DIESEL FORKLIFT



HIRE

SALES

SERVICE

LEASE

TRANSPORT

## H3.0XT FORKLIFT 3.0T DIESEL FORKLIFT



HYSTER XT SERIES BROCHURE

PAGE 20

### SPECIFICATIONS

### SPECIFICATIONS

				Diesel							
				HYSTER							
SPECIFICATION	1 MANUFACTURER			H1.5XT	H1.8XT	H2.0XTS	H2.0XT	H2.5XT	H3.0XT	H3.5XT	
	2 Model			1500	1750	2000	2000	2500	3000	3500	
3 Capacity			kg	500	500	500	500	500	500	500	
4 Load centre			mm	Pneumatic	Pneumatic	Pneumatic	Pneumatic	Pneumatic	Pneumatic	Pneumatic	
7 Tyres				2X/2	2X/2	2X/2	2X/2	2X/2	2X/2	2X/2	
8 Wheels	No. front/rear (x=Drive)										
DIMENSIONS	9 Lift height			mm	A	3000	3000	3000	3000	3000	3000
	10 Standard free lift			mm	B	145	145	150	155	160	165
	12 Fork carriage	Carriage width/ITA class			H	1020/2	1020/2	1020/2	1020/2	1070/3	1070/3
	13 Fork	Thickness/width/length		mm		35/100/920	35/100/920	40/122/920	40/122/920	45/122/1070	50/150/1070
	14 Tilt of mast	Forward/backward		deg	C/D	6/10	6/10	6/10	6/10	6/10	6/10
	Fork spread	Max/min		mm	M/N	915/205	915/205	910/250	1010/250	1060/250	1065/305
	Overall length	Length to tip of forks		mm	F+G	3200	3240	3275	3470	3685	3905
	15 Truck length	Length to face of forks		mm	G	2280	2320	2355	2550	2615	2835
	16 Overall width	Tyre/frame		mm		1070/1070	1135/1070	1135/1070	1160/1140	1160/1140	1235/1140
	16A Overall width	Tyre/frame (Dual tread)		mm		1190/1070	1190/1070	1190/1070	1590/1140	1590/1140	1490/1140
	17 Height	Height with lowered mast		mm	P	1995	1995	1995	1995	2060	2140
	18 Height	Height with extended mast		mm	K	4105	4105	4105	4120	4120	4125
	19 Height	Height of overhead guard canopy		mm	J	2060	2060	2060	2130	2130	2150
	20 Seat height			mm		920	920	920	990	990	1010
	21 Turning radius			mm	E	1960	1995	2030	2185	2245	2415
22 Load length 'X'	Centre of front wheel to face of forks		mm		410	410	415	465	465	505	
23 Right angle stacking aisle width	Add load length and clearance		mm		2165	2205	2240	2470	2530	2715	
PERFORMANCE	24 Travel speed	Laden/unladen with standard engine		km/h		17/18.0	17/18.5	17/18.5	17.5/19	17.5/19	17.5/18.5
	25 Lifting speed	Laden/unladen with standard engine		mm/s		675/710	665/710	655/710	620/670	610/670	560/570
	26 Lowering speed	Laden/unladen with optional engine		mm/s		NA	NA	NA	675/690	675/690	NA
	Drawbar pull	Laden/unladen @ 1.5km/h with standard engine		N		17500	17400	17500	16700	16700	22300
		Laden/unladen @ 1.5km/h with optional engine		N		NA	NA	NA	21800	21900	NA
Gradeability	Laden/unladen @ 1.5km/h with standard engine		%		36/24	32/22	29/20	26/26	22/23	27/22	
	Laden/unladen @ 1.5km/h with optional engine		%		NA	NA	NA	35/26	30/23	NA	
WEIGHT	32 Unladen weight	Standard tread		kg		2700	2910	3130	3440	3770	4280
	33 Axle loads	Laden front/rear		kg		3630/550	4020/640	4430/700	4760/680	5500/780	6390/890
	34 Axle loads	Unladen front/rear		kg		1120/1420	1140/1770	1130/2000	1580/1860	1510/2260	1650/2630
CHASSIS AND WHEELS	36 Tyre sizes	Front (standard tread)			6.00-9-10PR	21x8-9-14PR	21x8-9-14PR	700-12-12PR	700-12-12PR	28x9-15-12PR	28x9-15 SOLID
		Front (dual tread)			21x8-9-14PR	21x8-9-14PR	21x8-9-14PR	700-12-12PR	700-12-12PR	700-12-12PR	6.00-15 SOLID
		Rear			5.00-8-8PR	18x7-8-10PR	18x7-8-10PR	6.00-9-10PR	6.00-9-10PR	6.50-10-10PR	6.50-10 SOLID
	38 Wheelbase			mm	L	1410	1410	1410	1625	1625	1700
	39 Tread	Standard tread: front/rear		mm		915/905	950/930	950/930	970/1000	970/1000	1010/1000
		Dual tread: front/rear		mm		1000/905	1000/930	1000/930	1405/1000	1405/1000	1405/1000
	40 Ground clearance	At lowest point		mm	Q	110	110	110	120	120	140
	41 Ground clearance	Centre of wheel base		mm		120	120	120	190	190	210
42 Service brake	Mechanical/hydraulic/electric/pneumatic				Hydraulic	Hydraulic	Hydraulic	Hydraulic	Hydraulic	Hydraulic	
43 Parking brake	Foot/hand/dead man break				Hand	Hand	Hand	Hand	Hand	Hand	
DRIVE	49 Standard engine	Manufacturer/model			YANMAR 4TNE92	YANMAR 4TNE92	YANMAR 4TNE92	YANMAR 4TNE92	YANMAR 4TNE92	YANMAR 4TNE98	YANMAR 4TNE98
		Permanent output		kW		29	29	29	29	29	43
		At revs		rpm		2050	2050	2050	2050	2050	2300
		Rated torque		Nm/rpm		150/1400	150/1400	150/1400	150/1400	150/1400	198/1600
		No. of cylinder/cubic capacity		cm <sup>3</sup>		4/2659	4/2659	4/2659	4/2659	4/2659	4/3319
	51 Optional engine	Manufacturer/model			NA	NA	NA	YANMAR 4TNE98	YANMAR 4TNE98	NA	NA
		Permanent output		kW		NA	NA	NA	43	43	NA
		At revs		rpm		NA	NA	NA	2300	2300	NA
		Rated torque		Nm/rpm		NA	NA	NA	198/1600	198/1600	NA
		No. of cylinder/cubic capacity		cm <sup>3</sup>		NA	NA	NA	4/3319	4/3319	NA
53 Fuel tank	Fuel consumption		Ltr		52	52	52	69	69	69	
55 Transmission	With ICE drive				AT	AT	AT	AT	AT	AT	
OTHERS	57 Working pressure	For attachments		Mpa		18.1	18.1	18.1	18.1	18.1	
	58 Noise level - standard engine	BITA/ISO Leq 3dB Doubling		dB(A)		☞	☞	☞	☞	☞	

WA

NT

QLD

NSW

VIC

SA