

ND SERIES 10.0T FORKLIFT

10.0T DIESEL FORKLIFT



N SERIES

8.0T - 10.0T

HEAVY DUTY DIESEL FORKLIFTS

UN forklifts are designed to excel in the most challenging environments with increased safety, enhanced cooling systems, reduced noise and vibration all with low maintenance. With refined performance at an affordable price, UN Forklifts reduce the total cost of ownership and provide reliable and efficient solutions to drive productivity in your operations.



MODEL		8.0T	10.0T
GENERAL SPECIFICATIONS			
Power Type		Diesel	Diesel
Load Capacity	T	8.0T	10.0T
Load Capacity	Q(kg)	8000	10000
Load Centre	C(mm)	600	600
CHARACTERISTICS & DIMENSION			
Rated Lift Height	H3(mm)	3000	3000
Free Lift Height	H2(mm)	120	120
Fork Size (LxWxT)	mm	1220x175x75	1220x175x80
Mast Tilt Angle (F/R, α°/β°)	deg	6°/12°	6°/12°
Fork Overhang (Wheel Center to Fork Face)	X1(mm)	721	721
Rear Overhang	X2(mm)	760	760
Ground Clearance (Bottom of mast)	H7(mm)	250	250
Length to Face of Fork (Without Fork)	L1(mm)	4040	4270
Overall Width	B1(mm)	2165	2166
Mast Lowered Height	H1(mm)	2695	2845
Mast Extended Height (With Backrest)	H4(mm)	4020	4280

[HIRE](#)
[SALES](#)
[SERVICE](#)
[LEASE](#)
[TRANSPORT](#)

ND SERIES 10.0T FORKLIFT

10.0T DIESEL FORKLIFT



MODEL		8.0T	10.0T
PERFORMANCE			
Overhead Guard Height	H5(mm)	2520	2540
Turning Radius (Outside)	Wa(mm)	3700	4100
Min.Aisle width for pallets	Asl(mm)	5845	6045
Travel Speed (No Load)	km/h	21/18	19/16
Lifting Speed (No Load/Full Load)	mm/sec	400/380	380/328
Lowering Speed (No Load/Full Load)	mm/sec	≥300 / ≤800	≥300 / ≤800
Max.Drawbar Pull (Full Load)	KN	58	57
Max.Gradeability (Full Load)	%	20	20
CHASSIS			
Tyre (Front x 4)	mm	8.25-20-14PR	9.00-20-14PR
Tyre (Rear x 2)	mm	8.25-20-14PR	9.00-20-14PR
Front Tread	mm	1600	1600
Rear Tread	mm	1700	1700
Wheelbase	Y(mm)	2500	2800
WEIGHT			
Total Weight	kg	11850	12900
Front Axle Weight Distribution (Full Load)	kg	17800	20610
Rear Axle Weight Distribution (Full Load)	kg	2050	2290
Front Axle Distribution (No Load)	kg	4740	5660
Rear Axle Weight Distribution (No Load)	kg	7110	8240
POWER & TRANSMISSION			
Battery	V/Ah	24/90	24/90
Fuel Tank Capacity	L	120	120
Transmission Type		Powershift	Powershift
Transmission Stage (FWD,RVS)		2/2	2/2
Operating Pressure (For Attachments)	Mpa	20	20

[WA](#)
[NT](#)
[QLD](#)
[NSW](#)
[VIC](#)
[SA](#)

HIRE

SALES

SERVICE

LEASE

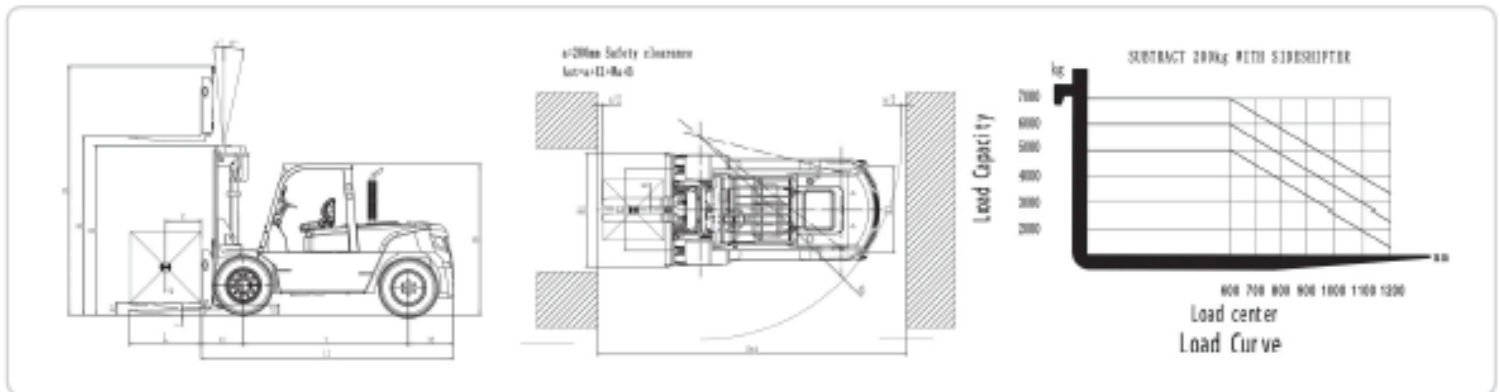
TRANSPORT

ND SERIES 10.0T FORKLIFT

10.0T DIESEL FORKLIFT



MODEL	8.0T	10.0T
EXTRAS INCLUDED		
Side-Shift	•	•
Fork positioner	•	•
Solid Non-Marking Tyres	•	•



WA

NT

QLD

NSW

VIC

SA