

MC-X 30-4 FORKLIFT

3.0T DIESEL ROUGH TERRAIN FORKLIFT



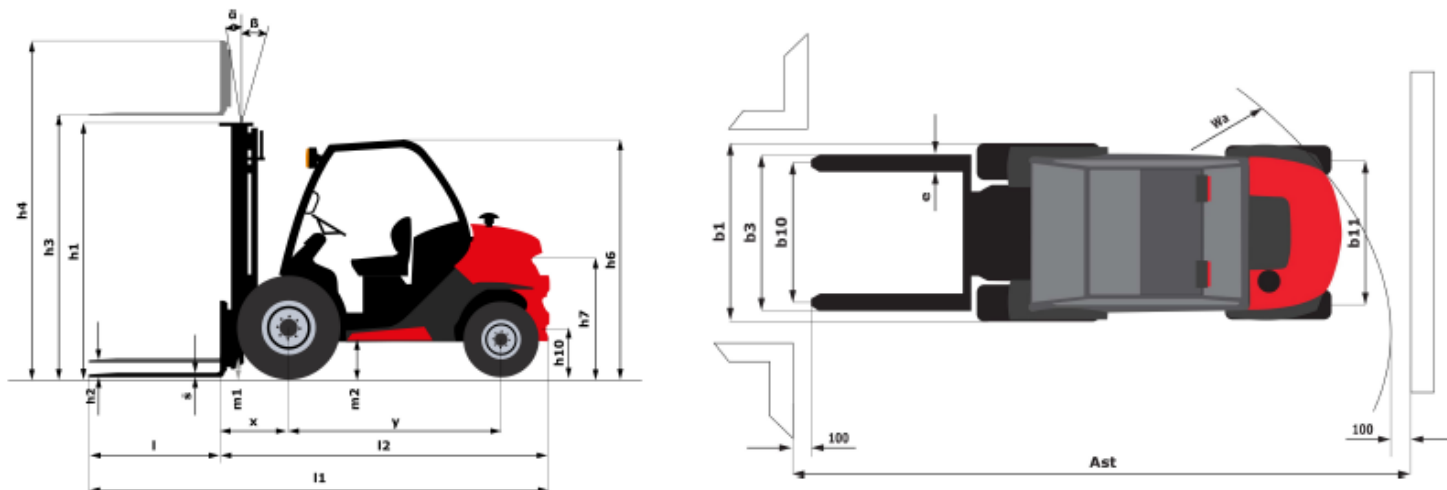
Technical characteristics			Metric	
1.1	Manufacturer			Manitou
1.2	Model Name			MC-X_30-4
1.3	Power source			Diesel
1.4	Operator type			Seated
1.5	Max. capacity	Q		3000 kg
1.6	Load centre of gravity	c		500 mm
1.8	Load distance, centre of drive axle to fork	x		626 mm
1.9	Wheelbase	y		1900 mm
Weight				
2.1	Service weight			4515 kg
2.2	Weight on front axle (laden) / rear axle (laden)			6595 kg / 920 kg
2.3	Weight on front axle (Unladen) / rear axle (Unladen)			1820 kg / 2695 kg
Wheels				
3.1	Tyres type			Pneumatic
3.2	Dimensions of front wheels			12,5/80-18/12 SL R4
3.3	Dimensions of rear wheels			27x10-12 SKS
3.5	Number of front wheels / rear wheels			2 / 2
3.5.2	Number of drive wheels			4
3.6	Front wheel gauge	b10		1159 mm
3.7	Rear wheel gauge	b11		1176 mm
Dimensions				
4.1	Tilt of Mast Forward (deg) / Backward (deg)	α / β		10 / 12
4.7	Height of overhead guard (cabin)	h6		2155 mm
4.7	Overall height of low overhead guard (Buggie version)	h6*		1990 mm
4.8	Seat height/stand height	h7		1094 mm
4.19	Overall length	l1		4235 mm
4.20	Length to face of forks	l2		3085 mm
4.21	Overall width	b1		1450 mm
4.22	Forks section / width / length	s / e / l		45 mm x 122 mm / 1150 mm
4.23	Fork carriage ISO 2328 (class/form) A/B			3A
4.24	Fork carriage width	b3		1260 mm
4.31	Ground clearance below mast	m1		300 mm
4.32	Ground clearance at centre of wheelbase	m2		310 mm
4.35	Turning radius	Wa		5411 mm
Performances				
5.1	Travel speed (laden / unladen)			12 km/h / 24.9 km/h
5.2	Lifting speed (laden / unladen)			0.47 m/s / 0.46 m/s
5.3	Lowering speed (laden / unladen)			0.5 m/s / 0.3 m/s
5.5	Drawbar pull (Laden / Unladen)			3270 daN / 1150 daN
5.7	Gradeability (laden / unladen)			40 % / 43 %
5.10	Service brake			Hydraulic brakes by loss of pressure
Engine				
7.1	Engine brand / model			Kubota / V2403
7.2	Engine power according to ISO 1585			36 kW
7.3	Rated speed			2700 rpm
7.4	Number of cylinders / Capacity of cylinders			4 - 2434 cm ³
7.5	Fuel consumption according to VDI cycle			6.1 l/h
Miscellaneous				
8.1	Type of drive control			Cable
8.2	Working hydraulic pressure for attachments			180 Bar
8.3	Oil flow rate for attachments			53 l/min
8.4	Measured/guaranteed mean noise level at the ear of the operator			< 82 dB(A)

MC-X 30-4 FORKLIFT

3.0T DIESEL ROUGH TERRAIN FORKLIFT



Dimensional drawing



Characteristics of masts and residual capacities

Full Visibility Duplex	FVD 33	FVD 37	FVD 45	
h2 - Free lift	mm	117	117	117
h1 - Height mast lowered *	mm	2338	2598	3038
h3 - Lifting Height	mm	3300	3700	4500
h4 - Height mast extended *	mm	4090	4490	5290
α / β - Mast inclination (front / rear)	°	10 / 12	10 / 12	10 / 12

Free Lift Triplex	FLT 34	FLT 37	FLT 40	FLT 43	FLT 47	FLT 55	
h2 - Free lift	mm	1235	1335	1435	1585	1685	2035
h1 - Height mast lowered *	mm	1988	2088	2188000	2338	2438	2788
h3 - Lifting Height	mm	3400	3700	4000000	4300	4700	5500
h4 - Height mast extended *	mm	4236	4536	4836000	5136	5536	6336
α / β - Mast inclination (front / rear)	°	10 / 12	10 / 12	10 / 12	10 / 12	10 / 12	6 / 6
Residual capacity at max height	kg	1580					
Residual capacity without attachment (Industrial load chart)	kg	1580					
Height at max capacity	mm	2500					

Full Visibility Triplex	FVT 33	
h2 - Free lift	mm	129
h1 - Height mast lowered *	mm	1878
h3 - Lifting Height	mm	3300
h4 - Height mast extended *	mm	4079
α / β - Mast inclination (front / rear)	°	10 / 12