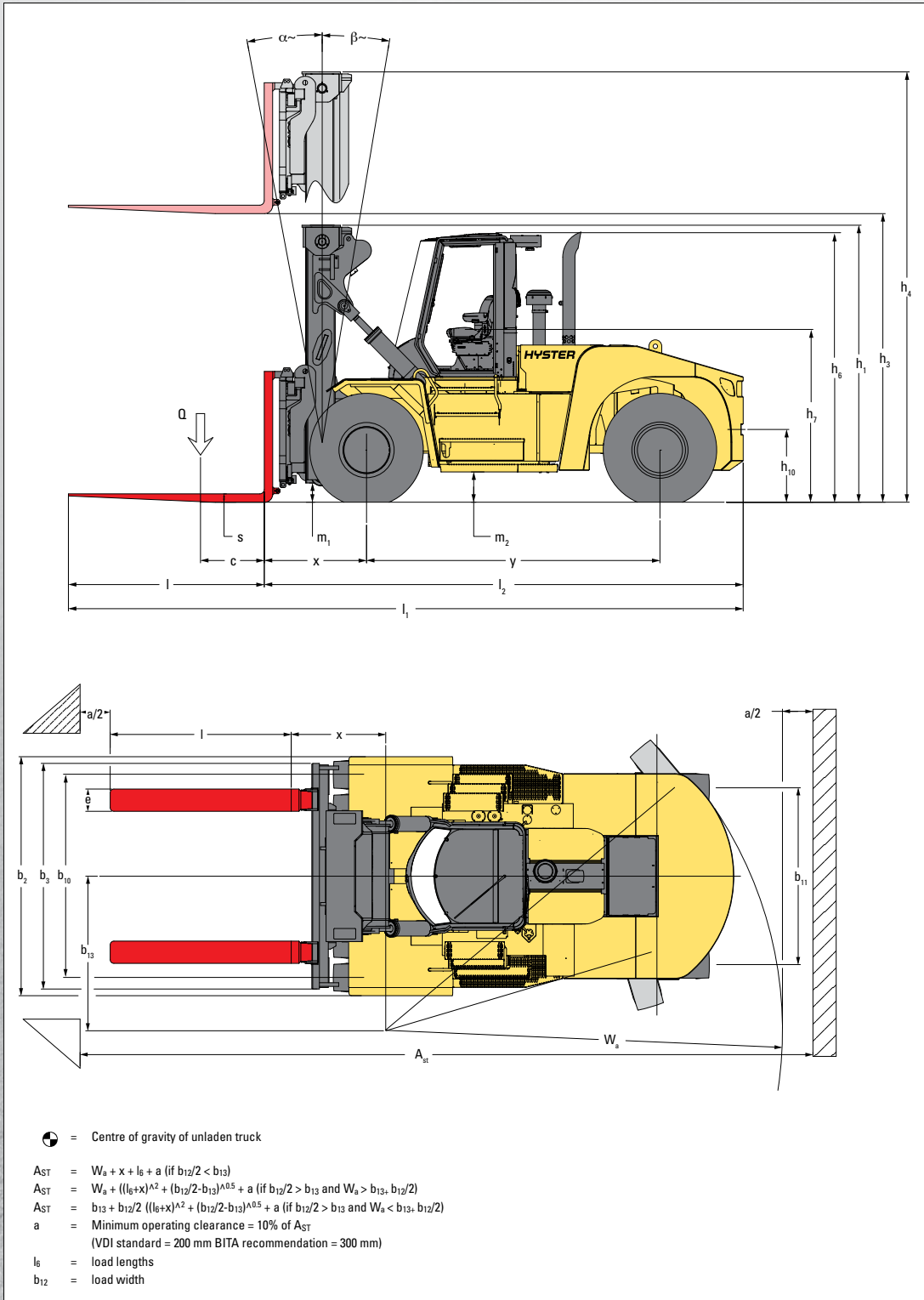


## H25XD12 FORKLIFT

25.0T DIESEL HEAVY DUTY FORKLIFT



### > DIMENSIONS



GENERAL

ENGINE

DRIVE

MISC

NOTE  
Spec  
as th  
cont  
(1) U  
(2) B  
(3) F  
(4) L  
(5) F  
(6) D  
(7) G

All c:

MAST  
(#) N  
with



HIRE

SALES

SERVICE

LEASE

TRANSPORT

## H25XD12 FORKLIFT

25.0T DIESEL HEAVY DUTY FORKLIFT



### > H25XDS9 / H25XD12 / H28XD12 SPECIFICATIONS

			H25XDS9		H25XD12		H28XD12	
GENERAL	1-1	Manufacturer	HYSTER		HYSTER		HYSTER	
	1-2	Model designation	H25XDS9		H25XD12		H28XD12	
	1-3	Powertrain / drivetrain	Diesel		Diesel		Diesel	
	1-4	Operator type	Seated		Seated		Seated	
	1-5	Load capacity at load center, nominal	Q	kg	25,000	25,000	28,000	
	1-6	Load center distance	c	mm	900	1,200	1,200	
	1-8	Load distance	x	mm	1,189	1,189	1,274	
	1-9	Wheelbase	y	mm	3,655	4,315	4,315	
	2-1	Service weight		kg	37,985	38,456	45,616	
WT.	2-2	Axle loading with load, front / rear	kg	58,534   4,451	58,205   5,250	67,530	6,086	
	2-3	Axle loading without load, front / rear	kg	19,245   18,739	19,364   19,091	23,476	22,139	
WHEELS	3-1	Tyre type	Pneumatic		Pneumatic		Pneumatic	
	3-2	Tyre size, front	14.00 - 24 28PR		14.00 - 24 28PR		16.00 - 25 32PR	
	3-3	Tyre size, rear	14.00 - 24 28PR		14.00 - 24 28PR		16.00 - 25 32PR	
	3-5	Wheels, number front / rear (x = driven wheels)	x 4 / 2		x 4 / 2		x 4 / 2	
	3-6	Tread, front	b <sub>10</sub>	mm	2,279	2,279	2,424	
	3-7	Tread, rear	b <sub>11</sub>	mm	2,381	2,381	2,338	
	4-1	Mast tilt, forward / backward	α/β	deg	6° / 10°	6° / 10°	6° / 10°	
DIMENSIONS	4-2	Height, mast lowered (1)	h <sub>1</sub>	mm	4,099	4,099	4,224	
	4-3	Free lift	h <sub>2</sub>	mm	0	0	0	
	4-4	Lift (2)	h <sub>3</sub>	mm	4,265	4,265	4,265	
	4-5	Height, mast extended	h <sub>4</sub>	mm	6,231	6,231	6,356	
	4-7	Cab height (open cab)	h <sub>6</sub>	mm	3,399	3,399	3,495	
	4-7-1	Height of overhead guard (closed cab)	h <sub>6</sub>	mm	3,426	3,426	3,522	
	4-7-2	Height of overhead guard (closed cab w/ airco)	h <sub>6</sub>	mm	3,426	3,426	3,522	
	4-7-3	Height of overhead guard (closed cab w/ strobe light)	h <sub>6</sub>	mm	3,523	3,523	3,619	
	4-7-4	Height of overhead guard (closed cab w/ work lights)	h <sub>6</sub>	mm	3,575	3,575	3,671	
	4-7-5	Height of overhead guard (closed cab w/ airco & strobe light)	h <sub>6</sub>	mm	3,553	3,553	3,649	
	4-8	Seat height relating to SIP (3)	h <sub>7</sub>	mm	2,193	2,193	2,292	
	4-12	Coupling height	h <sub>10</sub>	mm	935	935	1,031	
	4-19	Overall length	l <sub>1</sub>	mm	8,321	8,321	9,066	
	4-20	Length to face of forks (4)	l <sub>2</sub>	mm	5,881	5,881	6,626	
	4-21	Overall width	b <sub>2</sub>	mm	3,220	3,220	3,430	
	4-22	Fork dimensions ISO 2331	s/t/w	mm	105 / 280 / 2,440	105 / 280 / 2,440	105 / 300 / 2,440	
	4-23	Fork carriage type			Dual Function - Sideshift Fork Positioning Hook type	Dual Function - Sideshift Fork Positioning Hook type	Dual Function - Sideshift Fork Positioning Hook type	
	4-24	Fork carriage width	b <sub>3</sub>	mm	3,040	3,040	3,200	
	4-25	Distance over fork arms, minimum / maximum	b <sub>5</sub>	mm	1,430   2,970	1,430   2,970	1,480	3,140
	4-25-1	Distance over fork arms, minimum / maximum (5)	b <sub>5</sub>	mm	880   2,420	880   2,420	930	2,590
	4-30	Sideshift @ width over forks	b <sub>8</sub>	mm	+/-385   2,200	+/-385   2,200	+/-415	2,310
	4-31	Ground clearance, laden, below mast	m <sub>1</sub>	mm	219	219	227	
	4-32	Ground clearance, centre of wheelbase	m <sub>2</sub>	mm	406	406	502	
4-33	Load dimension b <sub>12</sub> × l <sub>6</sub> crossways		mm	2,400   2,400	2,400   2,400	2,400	2,400	
4-34-1-2	Aisle width, without operating clearance	A <sub>st</sub>	mm	8,915	9,774	9,859		
4-34-1-2	Aisle width, with 200 mm operating clearance	A <sub>st</sub>	mm	9,115	9,974	10,059		
4-34-1-3	Aisle width, with 10% operating clearance	A <sub>st</sub>	mm	9,807	10,751	10,845		
4-35	Outside turning radius	W <sub>a</sub>	mm	5,326	6,185	6,185		
4-36	Internal turning radius (6)	b <sub>13</sub>	mm	2,040	2,589	2,589		
PERFORMANCE	5-1	Travel speed, with / without load	km/h	25   25	25   25	25	25	
	5-2	Lifting speed, with / without load backwards	m/s	0.33   0.35	0.33   0.35	0.27	0.29	
	5-2-1	Lifting speed, with 70% load	m/s	0.34	0.34	0.28		
	5-3	Lowering speed with / without load	m/s	0.50   0.50	0.50   0.50	0.50	0.50	
	5-5	Drawbar pull - 1.6 km/h   1 mph, with / without load	kN	196   201	196   201	198	203	
	5-5-1	Drawbar pull - stall, with / without load	kN	238   243	238   243	240	245	
	5-7	Gradeability - 1.6 km/h   1 mph, with / without load (7)	%	34   34	33   35	28	35	
	5-7-1	Gradeability - stall, with / without load (7)	%	42   34	41   35	35	35	
	5-9	Acceleration time, with / without load	sec	On request		On request		On request

(1) Unladen with new tyres

(2) Bottom of forks

(3) Full suspension seat in depressed position

(4) Length without carriage

(5) Forks in alternative position

(6) Distance centre truck to centre of internal turning radius

(7) Gradeability figures are provided for comparison of tractive performance, but are not intended to endorse the operation of vehicle on the stated inclines.

Follow instructions in the operating manual regarding operation on inclines.

(1) Unl

(2) Bot

(3) Full

(4) Len

(5) Fork

(6) Dist

(7) Gra

Foll

WA

NT

QLD

NSW

VIC

SA