

## 510AJ BOOM LIFT

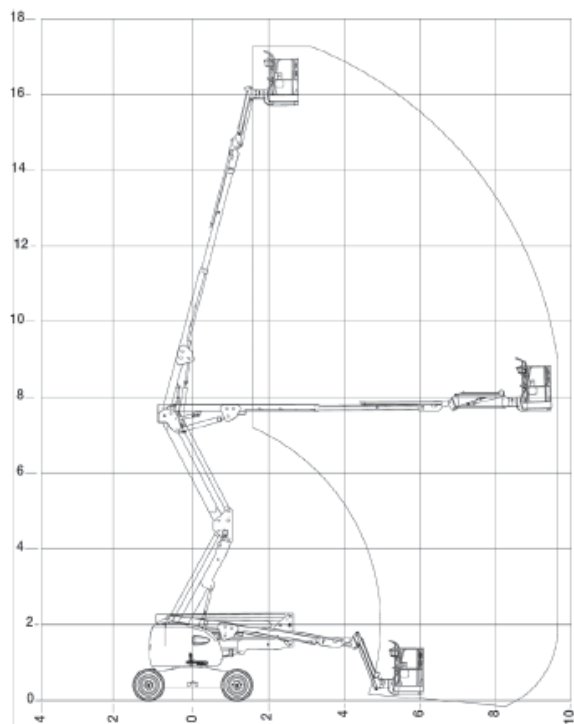
### 51FT DIESEL BOOM LIFT ARTICULATED

#### QUESTIONS TO ASK

- What are the ground conditions in the work area?
- What are the site conditions travelling around the site?
- What is the working height needed for the job?
- What is the up and over outreach required for the job?
- Do you need an extension lead outlet in the platform?
- Will inbuilt Miller 5.5KvA generator make the job easier?

#### KEY SELLING POINTS

- Smooth control, proportional hydraulic 4 wheel drive, with two speed ranges
- Proportional lift and swing controls at the platform
- Oscillating front steer axle with the boom within 10 degrees of centre, assists 4 wheel drive traction
- Tight steering turning circle
- No tail swing
- Jib boom and basket rotate
- Cylinder boots protect cylinder rods from overspray and contaminants
- Lug pattern urethane filled tyres
- Multi axis 4 degree level sensor.
- Plug in JLG analyser at platform and base to indicate system functions for servicing and adjustment
- Perkins 404C-22 4 cylinder 2.216 litre diesel engine, 50HP/37Kw @ 2800rpm, reduces noise, vibration, emissions and runs at a slower speed to reduce fuel use



#### SPECIFICATIONS

##### Performance:

Platform Height (max.)	15.81m
Working Height	17.81m
Platform Rotation Angle	180°
Jib Raise Angle	75°
Jib Lower Angle	70°
Jib Articulation Range	145°
Maximum Horizontal Outreach	9.48m
Platform Capacity	230kg
Slewing Angle	360°
Continuous Slew	No

##### Dimensions:

Stowed Length	7.68m
Stowed Height	2.30m
Overall Width	2.26m
Wheelbase	2.34m
Ground Clearance	0.36m
Platform Width	1.83m
Platform Length	0.76m
Overall Jib Length	1.24m
Tailswing	0m
Axle Oscillation Standard	Std

##### Power:

Power Source	Diesel
Engine Make	Perkins
Engine Model	404C - 22
Engine Power	37kW
Genset	5.5KvA Miller
Auxiliary Power	12V Pump

##### Travel:

Tyre Size	12 x 16.5
Tyre Type	Foam Fill
Inside Turn Radius	2.0m
Outside Turn Radius	5.0m
Gradeability with 4WD	45%
Drive Speed - 4WD	7.2 km/h
Maximum Ground Bearing Pressure	3.37kg/cm <sup>2</sup>

##### Weights and Capabilities:

Fuel Tank Capacity	62.5 Ltr
Hydraulic Tank Capacity	113.6 Ltr
Operating Weight	7,685kg