

HIRE

SALES

SERVICE

LEASE

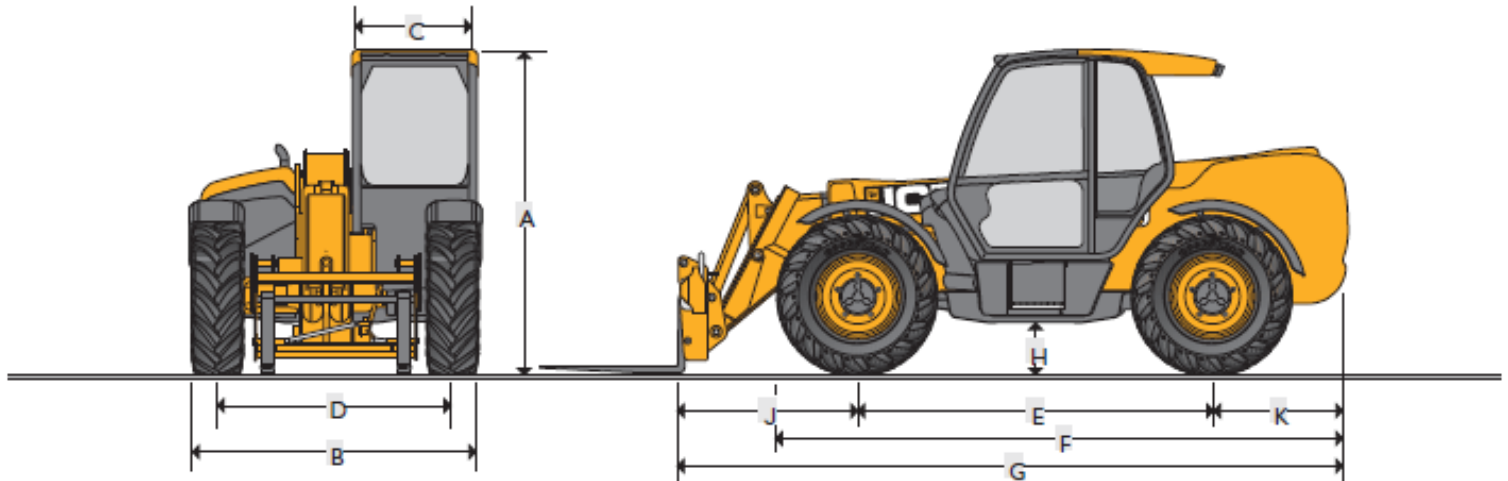
TRANSPORT

## 540-140 HI-VIZ TELEHANDLER

4.0T DIESEL 14.0M TELEHANDLER



### STATIC DIMENSIONS



### STATIC DIMENSIONS

Machine model		540-140 HiViz	540-170	540-180 HiViz	540-200	
A	Overall height	m	2.59	2.69	2.59	2.72
B	Overall width (over tyres)*	m	2.35	2.44	2.35	2.44
C	Inside width of cab	m	0.94	0.94	0.94	0.94
D	Front track	m	1.90	1.90	1.90	1.97
E	Wheelbase	m	2.75	2.75	2.75	2.75
F	Overall length to front tyres	m	4.74	5.08	4.75	5.09
G	Overall length to front carriage	m	6.23	6.36	6.27	6.81
H	Ground clearance	m	0.40	0.40	0.40	0.41
J	Front wheel centre to carriage	m	2.11	1.94	2.15	2.39
K	Rear wheel centre to rear face	m	1.37	1.67	1.37	1.67
	Overall width with stabilisers fully deployed	m	2.57	3.55	3.39	3.82
	Outside turn radius (over tyres)	m	3.75	4.10	3.75	4.1
	Carriage rollback angle	degrees	37.0	39	36.50	39
	Carriage dump angle	degrees	12.5	8.8	12.50	8.8
	Weight	kg	10880	12060	11380	12985
	Tyres		15.5/80-24	15.5/80-24	15.5-25	17.5-25

\* Type dependent

WA

NT

QLD

NSW

VIC

SA

HIRE

SALES

SERVICE

LEASE

TRANSPORT

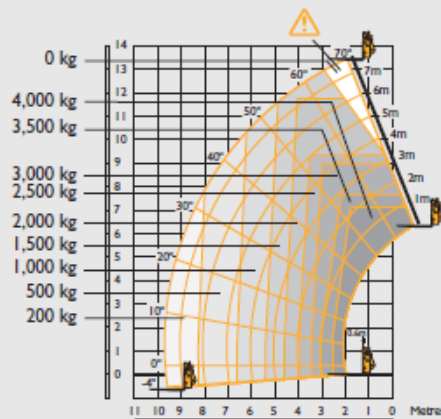
## 540-140 HI-VIZ TELEHANDLER

4.0T DIESEL 14.0M TELEHANDLER

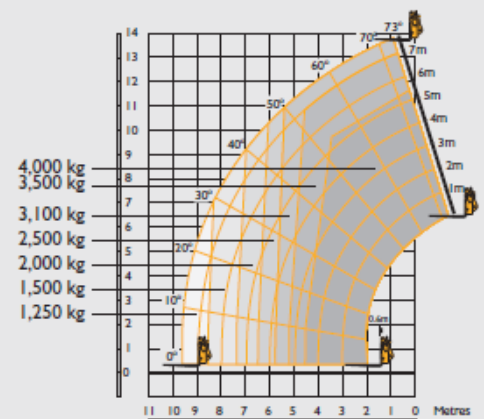


### LIFT PERFORMANCE

540-140 HiViz Stabilisers retracted Sway



540-140 HiViz Stabilisers extended Sway



Maximum lift capacity	kg	4000	4000
Lift capacity to full height	kg	1300	3100
Lift capacity at full reach	kg	200	900
Lift height	m	12.89	13.78
Reach at maximum lift height	m	3.09	1.01
Maximum forward reach	m	9.70	9.64
Reach with 1 tonne load	m	6.61	9.64
Placing height	m	12.40	13.30

Complies with stability test EN 1459 Annex B. Chassis Levelling (Sway) with stabilisers retracted (Sway angle  $\pm 9^\circ$ ).

WA

NT

QLD

NSW

VIC

SA