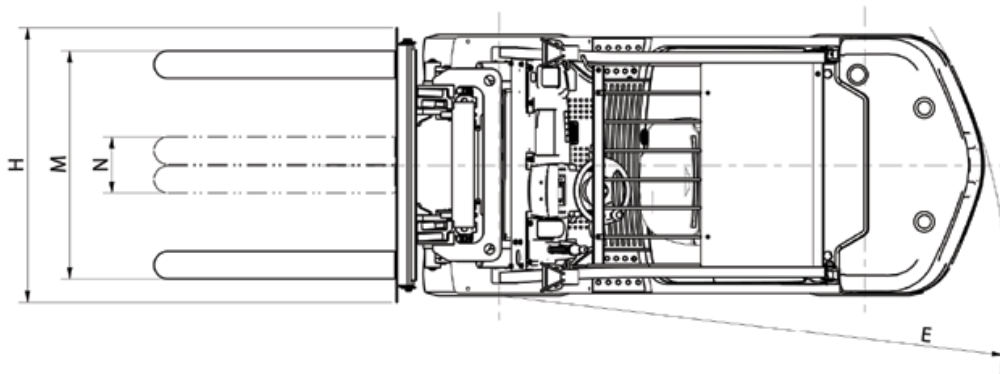
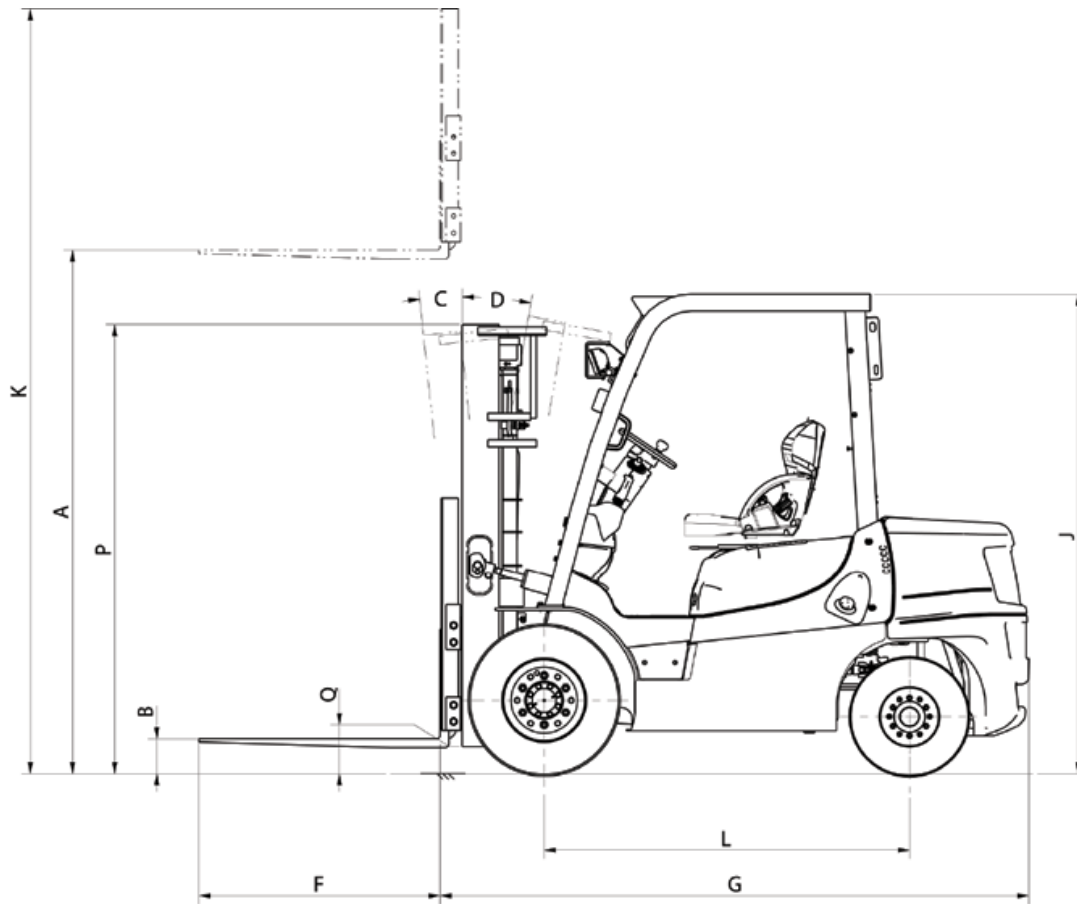


H2.5XT FORKLIFT

2.5T DIESEL FORKLIFT



DIMENSIONS



ADAPTALIFT HYSTER

H2.5XT FORKLIFT

2.5T DIESEL FORKLIFT



SPECIFICATIONS - DIESEL

SPECIFICATION	MANUFACTURER	Diesel								
		HYSTER								
1										
2	Model		H1.5XT	H1.8XT	H2.0XTS	H2.0XT	H2.5XT	H3.0XT	H3.5XT	
3	Capacity	kg	1500	1750	2000	2000	2500	3000	3500	
4	Load centre	mm	500	500	500	500	500	500	500	
7	Tyres		Pneumatic	Pneumatic	Pneumatic	Pneumatic	Pneumatic	Pneumatic	Pneumatic	
8	Wheels	No. front/rear (x-Drive)	2X/2	2X/2	2X/2	2X/2	2X/2	2X/2	2X/2	
9	Lift height	mm	A 3000	3000	3000	3000	3000	3000	3000	
10	Standard free lift	mm	B 145	145	150	155	155	160	165	
12	Fork carriage	Carriage width/ITA class	H 1020/2	1020/2	1020/2	1020/2	1020/2	1070/3	1070/3	
13	Fork	Thickness/width/length	mm	35/100/920	35/100/920	40/122/920	40/122/920	40/122/1070	45/122/1070	50/150/1070
14	Tilt of mast	Forward/backward	deg	C/D 6/10	6/10	6/10	6/10	6/10	6/10	
	Fork spread	Max/min	mm	M/N 915/205	915/205	910/250	1010/250	1010/250	1060/250	1065/305
	Overall length	Length to tip of forks	mm	F/G 3200	3240	3275	3470	3685	3835	3905
15	Truck length	Length to face of forks	mm	G 2280	2320	2355	2550	2615	2765	2835
16	Overall width	Tyre/frame	mm	1070/1070	1135/1070	1135/1070	1160/1140	1160/1140	1235/1140	1235/1140
16A	Overall width	Tyre/frame (Dual tread)	mm	1190/1070	1190/1070	1190/1070	1590/1140	1590/1140	1590/1140	1490/1140
17	Height	Height with lowered mast	mm	P 1995	1995	1995	1995	1995	2060	2140
18		Height with extended mast	mm	K 4105	4105	4105	4120	4120	4125	4125
19		Height of overhead guard canopy	mm	J 2060	2060	2060	2130	2130	2150	2150
20	Seat height		mm	920	920	920	990	990	1010	1010
21	Turning radius		mm	E 1960	1995	2030	2185	2245	2365	2415
22	Load length 'X'	Centre of front wheel to face of forks	mm	410	410	415	465	465	490	505
23	Right angle stacking aisle width	Add load length and clearance	mm	2165	2205	2240	2470	2530	2650	2715
24	Travel speed	Laden/unladen with standard engine	km/h	17/18.0	17/18.5	17/18.5	17.5/19	17.5/19	17.5/18.5	17.5/18
		Laden/unladen with optional engine	km/h	17/18.0	17/18.5	17/18.5	17.5/19	17.5/19	17.5/18.5	17.5/18
25	Lifting speed	Laden/unladen with standard engine	mm/s	675/710	665/710	655/710	620/670	610/670	560/570	475/490
		Laden/unladen with optional engine	mm/s	NA	NA	NA	675/690	675/690	NA	NA
26	Lowering speed	Laden/unladen	mm/s	495/520	495/520	495/520	495/520	495/520	495/520	495/520
		Drawbar pull	N	17500	17400	17500	16700	16700	22300	20400
	Gradeability	Laden/unladen @ 1.5km/h with standard engine	%	36/24	33/22	29/20	26/26	22/23	27/22	21/19
		Laden/unladen @ 1.5km/h with optional engine	%	NA	NA	NA	35/26	30/23	NA	NA
32	Unladen weight	Standard tread	kg	2700	2910	3130	3340	3770	4280	4770
33	Axle loads	Laden front/rear	kg	3630/550	4020/640	4430/700	4760/680	5500/780	6390/890	7250/1020
		Unladen front/rear	kg	1120/1420	1140/1770	1130/2000	1580/1860	1510/2260	1650/2630	1700/3070
36	Tyre sizes	Front (standard tread)		6.00-9-10PR	21x8-9-14PR	21x8-9-14PR	7.00-12-12PR	7.00-12-12PR	28x9-15-12PR	28x9-15 SOLID
		Front (dual tread)		21x8-9-14PR	21x8-9-14PR	21x8-9-14PR	7.00-12-12PR	7.00-12-12PR	6.00-15-12PR	6.00-15 SOLID
37		Rear		5.00-8-8PR	18x7-8-10PR	18x7-8-10PR	6.00-9-10PR	6.00-9-10PR	6.50-10-10PR	6.50-10 SOLID
38	Wheelbase		mm	L 1410	1410	1410	1625	1625	1700	1700
39	Tread	Standard tread: front/rear	mm	915/905	950/930	950/930	970/1000	970/1000	1010/1000	1010/1000
39A		Dual tread: front/rear	mm	1000/905	1000/930	1000/930	1405/1000	1405/1000	1405/1000	1330/1000
40	Ground clearance	At lowest point	mm	Q 110	110	110	120	120	140	140
41		Centre of wheel base	mm	120	120	120	190	190	210	210
42	Service brake	Mechanical/hydraulic/electric/ pneumatic		Hydraulic	Hydraulic	Hydraulic	Hydraulic	Hydraulic	Hydraulic	Hydraulic
43	Parking brake	Foot/hand/lead man break		Hand	Hand	Hand	Hand	Hand	Hand	Hand
49	Standard engine	Manufacturer/model		YANMAR 4TNE92	YANMAR 4TNE92	YANMAR 4TNE92	YANMAR 4TNE92	YANMAR 4TNE92	YANMAR 4TNE98	YANMAR 4TNE98
50		Permanent output	kW	32.8	32.8	32.8	32.8	32.8	50.6	50.6
51		At revs	rpm	2050	2050	2050	2050	2050	2300	2300
52		Rated torque	Nm/rpm	150/1400	150/1400	150/1400	150/1400	150/1400	198/1600	198/1600
52		No. of cylinder/cubic capacity	cm ³	4/2659	4/2659	4/2659	4/2659	4/3319	4/3319	
49	Optional engine	Manufacturer/model		NA	NA	NA	YANMAR 4TNE98	YANMAR 4TNE98	NA	NA
50		Permanent output	kW	NA	NA	NA	50.6	50.6	NA	NA
51		At revs	rpm	NA	NA	NA	2300	2300	NA	NA
52		Rated torque	Nm/rpm	NA	NA	NA	198/1600	198/1600	NA	NA
52		No. of cylinder/cubic capacity	cm ³	NA	NA	NA	4/3319	4/3319	NA	NA
		Fuel tank	Ltr	52	52	52	69	69	69	69
53		Fuel consumption	Ltr/h	⌚	⌚	⌚	⌚	⌚	⌚	⌚
55	Transmission	With ICE drive		AT	AT	AT	AT	AT	AT	AT
57	Working pressure	For attachments	Mpa	18.1	18.1	18.1	18.1	18.1	18.1	15.7
58	Noise level - standard engine	BITA/ISO Leq 3dB Doubling	dB(A)	⌚	⌚	⌚	⌚	⌚	⌚	⌚

Hyster H1.5XT-H3.5XT series