

HIRE

SALES

SERVICE

LEASE

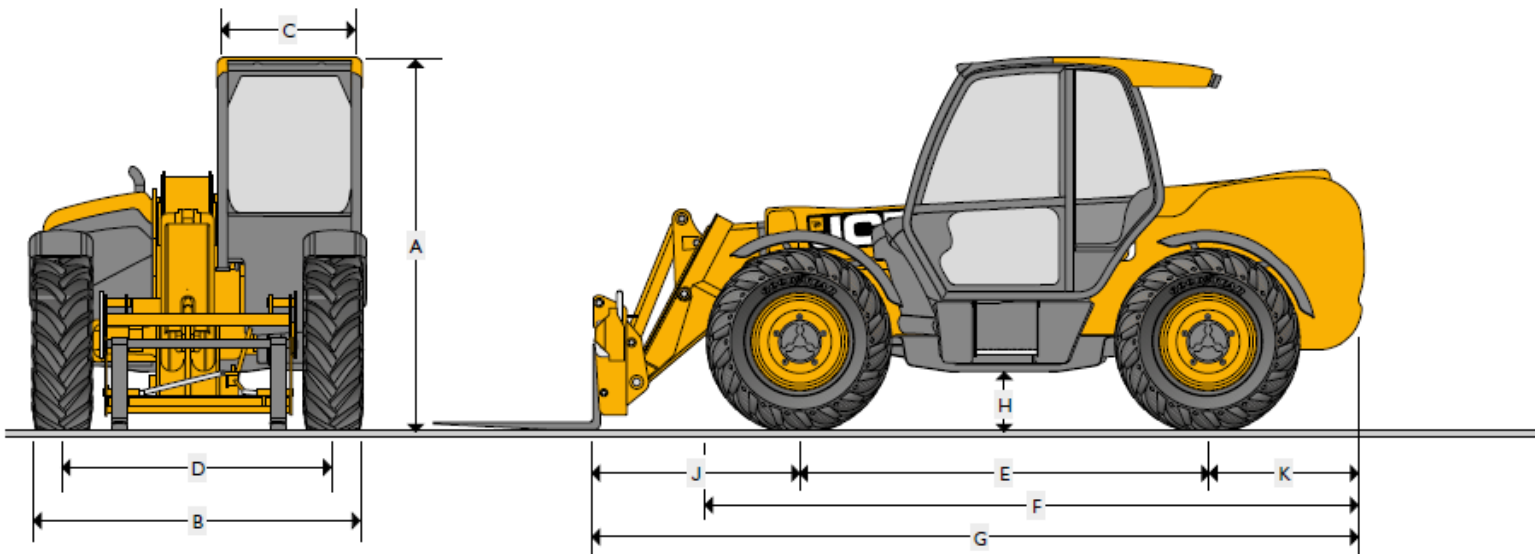
TRANSPORT

531-70 IND TELEHANDLER

3.0T DIESEL 7.0M TELEHANDLER



STATIC DIMENSIONS



STATIC DIMENSIONS

Machine model		531-70	541-70	535-95	533-105	535-125 HiViz
A Overall height	m	2.49	2.49	2.49	2.49	2.59
B Overall width (over tyres)*	m	2.23	2.23	2.36	2.36	2.35
C Inside width of cab	m	0.94	0.94	0.94	0.94	0.94
D Front track	m	1.81	1.81	1.87	1.87	1.90
E Wheelbase	m	2.75	2.75	2.75	2.75	2.75
F Overall length to front tyres	m	4.38	4.38	4.38	4.38	4.74
G Overall length to front carriage	m	4.99	4.99	4.99	5.38	5.80
H Ground clearance	m	0.40	0.40	0.40	0.40	0.40
J Front wheel centre to carriage	m	1.25	1.25	1.20	1.62	1.68
K Rear wheel centre to rear face	m	0.99	0.99	1.04	1.01	1.37
Overall width with stabilisers fully deployed	m	NA	NA	NA	2.63	2.57
Outside turn radius (over tyres)	m	3.7	3.7	3.7	3.7	3.75
Carriage rollback angle	degrees	42.6	42.6	41.0	41.2	37.0
Carriage dump angle	degrees	37.5	37.5	24.0	24.0	12.5
Weight	kg	7060	7850	8215	8850	10066
Tyres		15.5/80-24	15.5/80-24	15.5/80-24	15.5/80-24	15.5/80-24

* Type dependent

WA

NT

QLD

NSW

VIC

SA

HIRE

SALES

SERVICE

LEASE

TRANSPORT

531-70 IND TELEHANDLER

3.0T DIESEL 7.0M TELEHANDLER



LIFT PERFORMANCE

		531-70	541-70
Maximum lift capacity	kg	3100	4100
Lift capacity to full height	kg	2400	2250
Lift capacity at full reach	kg	1250	1500
Lift height	m	7.0	7.0
Reach at maximum lift height	m	0.54	0.54
Maximum forward reach	m	3.7	3.7
Reach with 1 tonne load	m	3.7	3.7
Placing height	m	6.3	6.3

Complies with stability test EN 1459 Annex B. Chassis Levelling (Sway) with stabilisers retracted (Sway angle $\pm 9^\circ$).

WA

NT

QLD

NSW

VIC

SA