

## Z45/25J RT BOOM LIFT

### 45FT DIESEL ARTICULATING BOOM LIFT



#### Models Z-45/25J RT

Measurements	Metric	US
Working height maximum*	15.86 m	51 ft 6 in
Platform height maximum	13.86 m	45 ft 6 in
Horizontal reach maximum	7.52 m	24 ft 8 in
Up and over clearance maximum	7.14 m	23 ft 5 in
<b>A</b> Platform length	0.76 m	2 ft 6 in
<b>B</b> Platform width	1.83 m	6 ft
<b>C</b> Height - stowed	2.13 m	7 ft
<b>D</b> Length - stowed	6.65 m	21 ft 10 in
<b>E</b> Width	2.29 m	7 ft 6 in
<b>F</b> Wheelbase	2.03 m	6 ft 8 in
<b>A</b> Ground clearance - center	0.38 m	1 ft 2.8 in

#### Productivity

Lift capacity	227 kg	500 lbs
Platform rotation	160°	
Vertical Jib rotation	135°	
Turntable rotation	355° non-continuous	
Turntable tailswing	zero	
Drive speed - stowed	7.24 km/h	4.5 mph
Drive speed - raised **	0.98 km/h	0.6 mph
Gradeability - 4WD - stowed***	45%	
Turning radius - inside	1.68 m	5 ft 6 in
Turning radius - outside	4.50 m	14 ft 9 in
Controls	12 V DC proportional	
Tires	315/55 D20	

#### Power

Power source	Deutz D2011L03i 3 cylinder diesel 48 hp (35.8 kW)
Auxiliary power unit	12 V DC
Hydraulic tank capacity	83 L 22 gal
Fuel tank capacity	64.4 L 17 gal

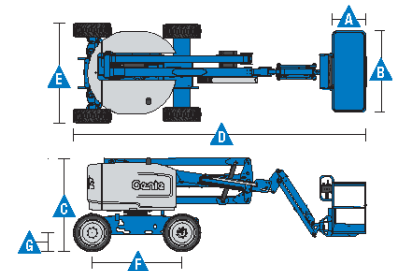
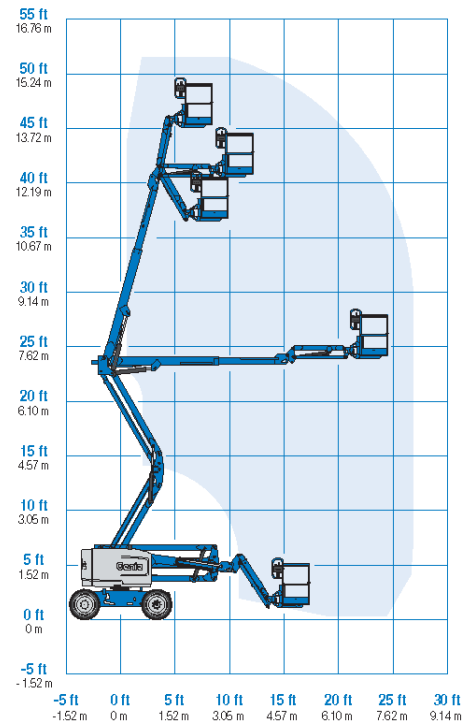
#### Weight\*\*\*\*

4WD	6134 kg	13,523 lbs
-----	---------	------------

#### Standards Compliance

AS 1418.10

#### Range Of Motion Z-45/25J RT



\* The metric equivalent of working height adds 2 m to platform height. U.S. adds 6 ft to platform height.  
 \*\* In lift mode (platform raised), the machine is designed to operate on firm, level surfaces only.  
 \*\*\* Gradeability applies to driving on slopes. See operator's manual for details regarding slope ratings.  
 \*\*\*\* Weight will vary depending on options and/or country standards.