

ND SERIES 5.0T FORKLIFT

5.0T DIESEL FORKLIFT



N SERIES

5.0T - 7.0T

HEAVY DUTY DIESEL FORKLIFTS

UN forklifts are designed to excel in the most challenging environments with increased safety, enhanced cooling systems, reduced noise and vibration all with low maintenance. With refined performance at an affordable price, UN Forklifts reduce the total cost of ownership and provide reliable and efficient solutions to drive productivity in your operations.



| MODEL | | 5.0T | 6.0T | 7.0T |
|---|--------|-------------|-------------|-------------|
| GENERAL SPECIFICATIONS | | | | |
| Power Type | | Diesel | Diesel | Diesel |
| Load Capacity | T | 5.0T | 6.0T | 7.0T |
| Load Capacity | Q(kg) | 5000 | 6000 | 7000 |
| Load Centre | C(mm) | 600 | 600 | 600 |
| CHARACTERISTICS & DIMENSION | | | | |
| Rated Lift Height | H3(mm) | 3000 | 3000 | 3000 |
| Free Lift Height | H2(mm) | 152 | 152 | 152 |
| Fork Size (LxWxT) | mm | 1220x150x80 | 1220x150x80 | 1220x150x85 |
| Mast Tilt Angle (F/R, α/β°) | deg | 6°/12° | 6°/12° | 6°/12° |
| Fork Overhang (Wheel Center to Fork Face) | X1(mm) | 585 | 585 | 585 |
| Rear Overhang | X2(mm) | 640 | 640 | 720 |
| Ground Clearance (Bottom of mast) | H7(mm) | 200 | 200 | 200 |
| Length to Face of Fork (Without Fork) | L1(mm) | 3510 | 3510 | 3590 |
| Overall Width | B1(mm) | 1998 | 1995 | 1998 |
| Mast Lowered Height | H1(mm) | 2515 | 2515 | 2165 |
| Mast Extended Height (With Backrest) | H4(mm) | 4437 | 4437 | 4437 |

[HIRE](#)
[SALES](#)
[SERVICE](#)
[LEASE](#)
[TRANSPORT](#)

ND SERIES 5.0T FORKLIFT

5.0T DIESEL FORKLIFT



| MODEL | | 5.0T | 6.0T | 7.0T |
|--|---------|--------------|--------------|--------------|
| PERFORMANCE | | | | |
| Overhead Guard Height | H5(mm) | 2445 | 2445 | 2445 |
| Turning Radius (Outside) | Wa(mm) | 3280 | 3280 | 3340 |
| Min.Aisle width for pallets | Asl(mm) | 5285 | 5285 | 5365 |
| Travel Speed (No Load) | km/h | 23/21 | 23/21 | 23/21 |
| Lifting Speed (No Load/Full Load) | mm/sec | 530/500 | 530/500 | 530/490 |
| Lowering Speed (No Load/Full Load) | mm/sec | ≥300 / ≤800 | ≥300 / ≤800 | ≥300 / ≤800 |
| Max.Drawbar Pull (Full Load) | KN | 53 | 53 | 52 |
| Max.Gradeability (Full Load) | % | 32 | 27 | 24 |
| CHASSIS | | | | |
| Tyre (Front x 4) | mm | 8.25-15-14PR | 8.25-15-14PR | 8.25-15-14PR |
| Tyre (Rear x 2) | mm | 8.25-15-14PR | 8.25-15-14PR | 8.25-15-14PR |
| Front Tread | mm | 1470 | 1470 | 1470 |
| Rear Tread | mm | 1700 | 1700 | 1700 |
| Wheelbase | Y(mm) | 2250 | 2250 | 2250 |
| WEIGHT | | | | |
| Total Weight | kg | 7980 | 8640 | 9350 |
| Front Axle Weight Distribution (Full Load) | kg | 11660 | 13050 | 14570 |
| Rear Axle Weight Distribution (Full Load) | kg | 1320 | 1590 | 1780 |
| Front Axle Distribution (No Load) | kg | 4010 | 3880 | 3880 |
| Rear Axle Weight Distribution (No Load) | kg | 3970 | 4780 | 5490 |
| POWER & TRANSMISSION | | | | |
| Battery | V/Ah | 24/90 | 24/90 | 24/90 |
| Fuel Tank Capacity | L | 120 | 120 | 120 |
| Transmission Type | | Powershift | Powershift | Powershift |
| Transmission Stage (FWD,RVS) | | 2/2 | 2/2 | 2/2 |
| Operating Pressure (For Attachments) | Mpa | 20 | 20 | 20 |

[WA](#)
[NT](#)
[QLD](#)
[NSW](#)
[VIC](#)
[SA](#)

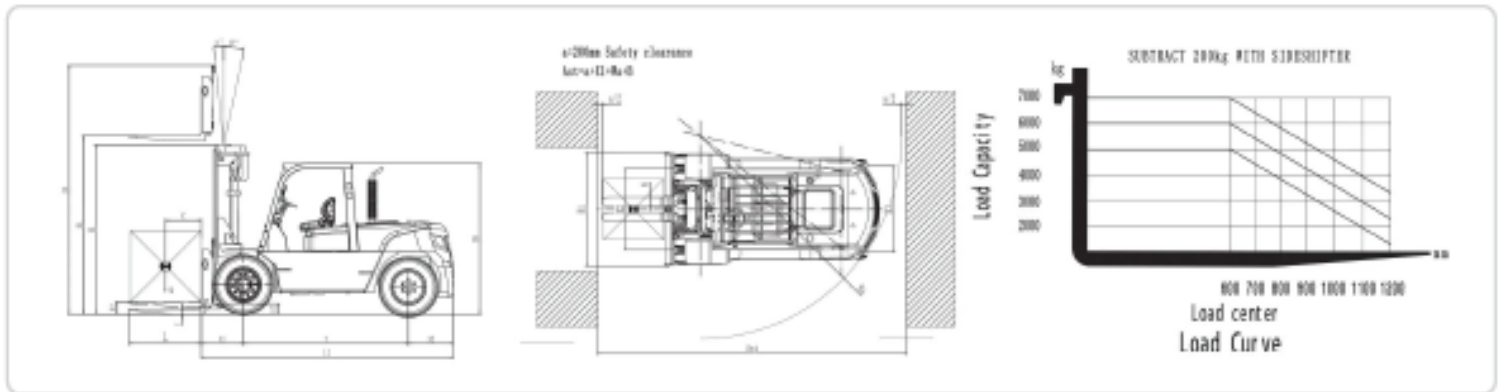
[HIRE](#)
[SALES](#)
[SERVICE](#)
[LEASE](#)
[TRANSPORT](#)

ND SERIES 5.0T FORKLIFT

5.0T DIESEL FORKLIFT



| MODEL | 5.0T | 6.0T | 7.0T |
|-------------------------|------|------|------|
| EXTRAS INCLUDED | | | |
| Side-Shift | • | • | • |
| Fork positioner | • | • | • |
| Solid Non-Marking Tyres | • | • | • |


[WA](#)
[NT](#)
[QLD](#)
[NSW](#)
[VIC](#)
[SA](#)