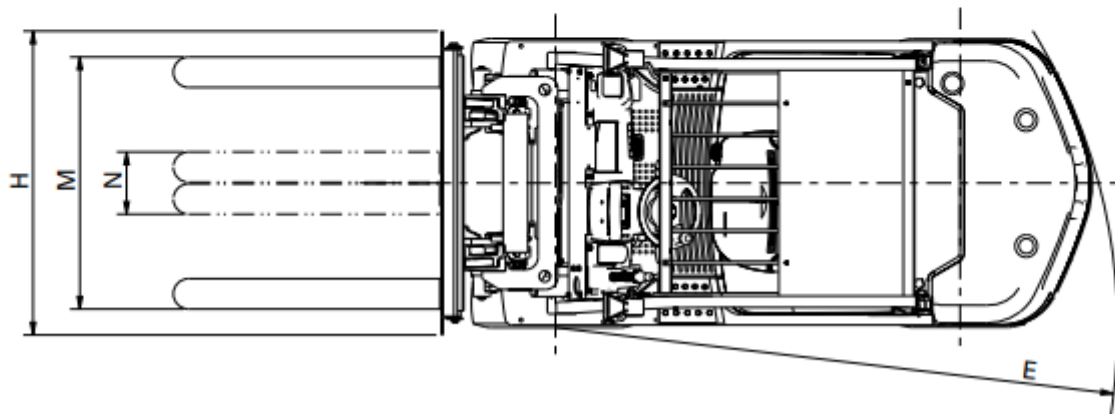
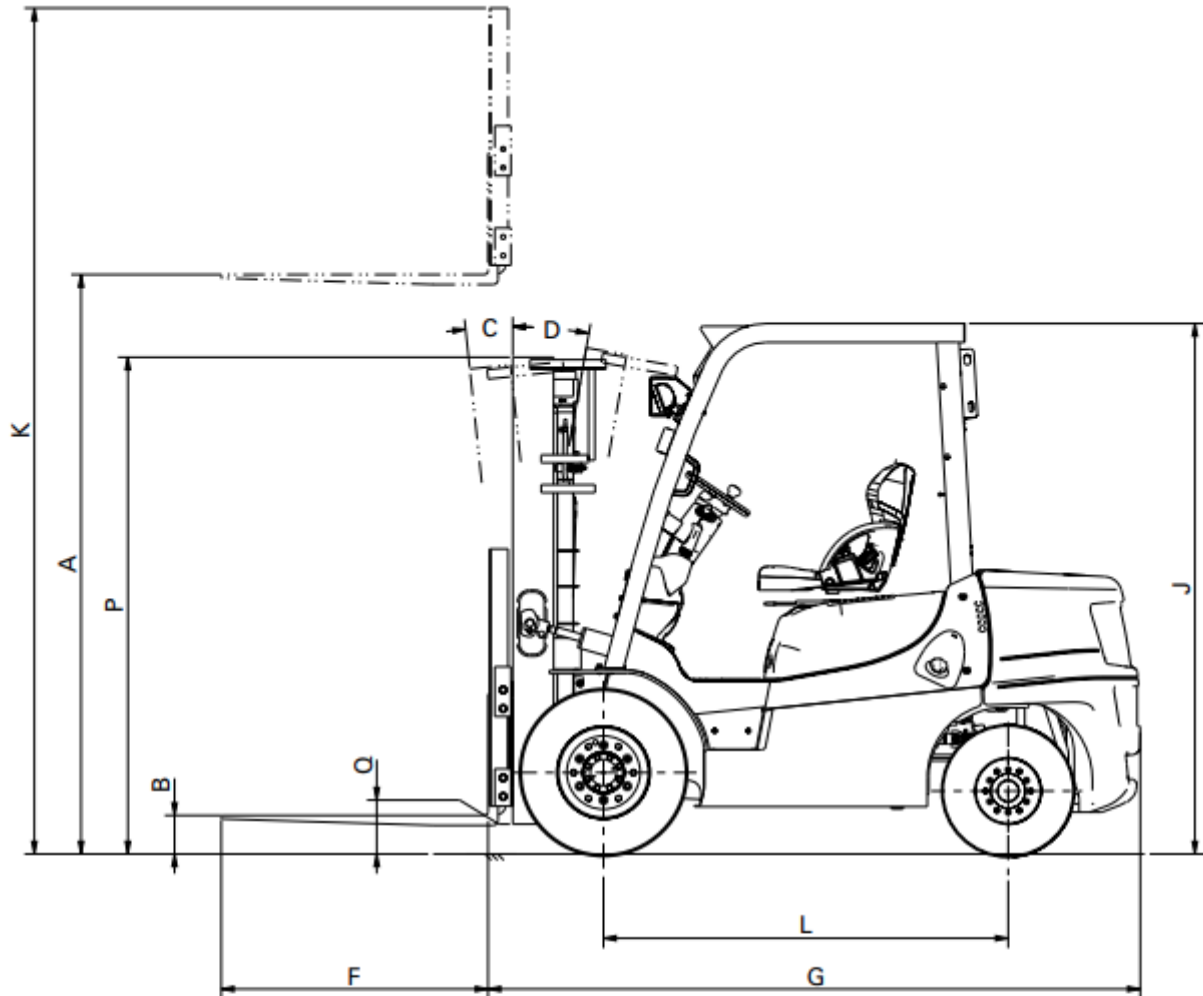


H3.0XT FORKLIFT

3.0T DIESEL FORKLIFT



HIRE

SALES

SERVICE

LEASE

TRANSPORT

H3.0XT FORKLIFT

3.0T DIESEL FORKLIFT



HYSTER XT SERIES BROCHURE

PAGE 20

SPECIFICATIONS

SPECIFICATIONS

				Diesel								
				HYSTER								
SPECIFICATION	1	MANUFACTURER										
		2	Model	H1.5XT	H1.8XT	H2.0XTS	H2.0XT	H2.5XT	H3.0XT	H3.5XT		
	3	Capacity	kg	1500	1750	2000	2000	2500	3000	3500		
	4	Load centre	mm	500	500	500	500	500	500	500		
	7	Tyres		Pneumatic	Pneumatic	Pneumatic	Pneumatic	Pneumatic	Pneumatic	Pneumatic		
	8	Wheels	No. front/rear (x=Drive)	2X/2	2X/2	2X/2	2X/2	2X/2	2X/2	2X/2		
DIMENSIONS	9	Lift height	mm	A	3000	3000	3000	3000	3000	3000	3000	
	10	Standard free lift	mm	B	145	145	150	155	155	160	165	
	12	Fork carriage	Carriage width/ITA class	H	1020/2	1020/2	1020/2	1020/2	1020/2	1070/3	1070/3	
	13	Fork	Thickness/width/length	mm	35/100/920	35/100/920	40/122/920	40/122/920	40/122/1070	45/122/1070	50/150/1070	
	14	Tilt of mast	Forward/backward	deg	C/D	6/10	6/10	6/10	6/10	6/10	6/10	
		Fork spread	Max/min	mm	M/N	915/205	915/205	910/250	1010/250	1060/250	1065/305	
		Overall length	Length to tip of forks	mm	F+G	3200	3240	3275	3470	3685	3835	3905
	15	Truck length	Length to face of forks	mm	G	2280	2320	2355	2550	2615	2765	2835
	16	Overall width	Tyre/frame	mm		1070/1070	1135/1070	1135/1070	1160/1140	1160/1140	1235/1140	1235/1140
	16A	Overall width	Tyre/frame (Dual tread)	mm		1190/1070	1190/1070	1190/1070	1590/1140	1590/1140	1490/1140	
	17	Height	Height with lowered mast	mm	P	1995	1995	1995	1995	1995	2060	2140
	18		Height with extended mast	mm	K	4105	4105	4105	4120	4120	4125	4125
	19		Height of overhead guard canopy	mm	J	2060	2060	2060	2130	2130	2150	2150
20	Seat height		mm		920	920	920	990	990	1010	1010	
21	Turning radius		mm	E	1960	1995	2030	2185	2245	2365	2415	
22	Load length 'X'	Centre of front wheel to face of forks	mm		410	410	415	465	465	490	505	
23	Right angle stacking aisle width	Add load length and clearance	mm		2165	2205	2240	2470	2530	2650	2715	
PERFORMANCE	24	Travel speed	Laden/unladen with standard engine	km/h	17/18.0	17/18.5	17/18.5	17.5/19	17.5/19	17.5/18.5	17.5/18	
			Laden/unladen with optional engine	km/h	17/18.0	17/18.5	17/18.5	17.5/19	17.5/19	17.5/18.5	17.5/18	
	25	Lifting speed	Laden/unladen with standard engine	mm/s	675/710	665/710	655/710	620/670	610/670	560/570	475/490	
			Laden/unladen with optional engine	mm/s	NA	NA	NA	675/690	675/690	NA	NA	
26	Lowering speed	Laden/unladen	mm/s	495/520	495/520	495/520	495/520	495/520	495/520	495/520		
	Drawbar pull	Laden/unladen @ 1.5km/h with standard engine	N	17500	17400	17500	16700	16700	22300	20400		
		Laden/unladen @ 1.5km/h with optional engine	N	NA	NA	NA	21800	21900	NA	NA		
	Gradeability	Laden/unladen @ 1.5km/h with standard engine	%	36/24	32/22	29/20	26/26	22/23	27/22	21/19		
		Laden/unladen @ 1.5km/h with optional engine	%	NA	NA	NA	35/26	30/23	NA	NA		
WEIGHT	32	Unladen weight	Standard tread	kg	2700	2910	3130	3440	3770	4280	4770	
	33	Axle loads	Laden front/rear	kg	3630/550	4020/640	4430/700	4760/680	5500/780	6390/890	7250/1020	
	34		Unladen front/rear	kg	1120/1420	1140/1770	1130/2000	1580/1860	1510/2260	1650/2630	1700/3070	
CHASSIS AND WHEELS	36	Tyre sizes	Front (standard tread)		6.00-9-10PR	21x8-9-14PR	21x8-9-14PR	700-12-12PR	700-12-12PR	28x9-15-12PR	28x9-15 SOLID	
			Front (dual tread)		21x8-9-14PR	21x8-9-14PR	21x8-9-14PR	700-12-12PR	700-12-12PR	700-12-12PR	6.00-15 SOLID	
			Rear		5.00-8-8PR	18x7-8-10PR	18x7-8-10PR	6.00-9-10PR	6.00-9-10PR	6.50-10-10PR	6.50-10 SOLID	
	38	Wheelbase		mm	L	1410	1410	1410	1625	1625	1700	1700
	39	Tread	Standard tread: front/rear	mm	915/905	950/930	950/930	970/1000	970/1000	1010/1000	1010/1000	
	39A		Dual tread: front/rear	mm	1000/905	1000/930	1000/930	1405/1000	1405/1000	1405/1000	1330/1000	
	40	Ground clearance	At lowest point	mm	Q	110	110	110	120	120	140	140
41		Centre of wheel base	mm		120	120	120	190	190	210	210	
42	Service brake	Mechanical/hydraulic/electric/pneumatic			Hydraulic	Hydraulic	Hydraulic	Hydraulic	Hydraulic	Hydraulic	Hydraulic	
43	Parking brake	Foot/hand/dead man break			Hand	Hand	Hand	Hand	Hand	Hand	Hand	
DRIVE	49	Standard engine	Manufacturer/model		YANMAR 4TNE92	YANMAR 4TNE92	YANMAR 4TNE92	YANMAR 4TNE92	YANMAR 4TNE92	YANMAR 4TNE98	YANMAR 4TNE98	
	50		Permanent output	kW	29	29	29	29	29	43	43	
	51		At revs	rpm	2050	2050	2050	2050	2050	2300	2300	
	52		Rated torque	Nm/rpm	150/1400	150/1400	150/1400	150/1400	150/1400	198/1600	198/1600	
	52		No. of cylinder/cubic capacity	cm ³	4/2659	4/2659	4/2659	4/2659	4/2659	4/3319	4/3319	
	49	Optional engine	Manufacturer/model		NA	NA	NA	NA	YANMAR 4TNE98	YANMAR 4TNE98	NA	NA
	50		Permanent output	kW	NA	NA	NA	NA	43	43	NA	NA
	51		At revs	rpm	NA	NA	NA	NA	2300	2300	NA	NA
52	Rated torque		Nm/rpm	NA	NA	NA	NA	198/1600	198/1600	NA	NA	
52		No. of cylinder/cubic capacity	cm ³	NA	NA	NA	NA	4/3319	4/3319	NA	NA	
53	Fuel tank		Ltr	52	52	52	69	69	69	69		
55	Transmission	With ICE drive			AT	AT	AT	AT	AT	AT		
OTHERS	57	Working pressure	For attachments	Mpa	18.1	18.1	18.1	18.1	18.1	18.1	15.7	
	58	Noise level - standard engine	BITA/ISO Leq 3dB Doubling	dB(A)	☞	☞	☞	☞	☞	☞	☞	

WA

NT

QLD

NSW

VIC

SA