

[HIRE](#)
[SALES](#)
[SERVICE](#)
[LEASE](#)
[TRANSPORT](#)

PANORAMIC 72.10 EE TELEHANDLER

7.2T DIESEL 10.0M TELEHANDLER



| | PERFORMANCE AND FEATURES | P72.10 EE | | |
|---------------------------|--|---------------------|--|--|
| | PERFORMANCE | | | |
| | Total unladen weight (kg) | 11300 | | |
| | Maximum capacity (kg) | 7200 | | |
| | Lifting height (m) | 9,2 | | |
| | Maximum reach (m) | 5,2 | | |
| | Maximum operating height (m) | 6 | | |
| | Maximum operating reach (m) | 1,5 | | |
| | Capacity at maximum height (kg) | 2750 | | |
| | Capacity at maximum reach (kg) | 1800 | | |
| | Lateral boom movement (mm) | ± 250 | | |
| | Tilting correction (%) | ± 8 | | |
| | Boom sections | 2 | | |
| | | POWERTRAIN | | |
| Turbo motor | | Kubota V3800 | | |
| Displacement/cylinders | | 3800/4 | | |
| Engine Power (kW/HP) | | 74/100 | | |
| Anti-pollution technology | | TIER 3, STAGE IIIA | | |
| Reversible fan | | - | | |
| Maximum speed (km/h) | | 40 | | |
| Fuel tank (l) | | 140 | | |
| AdBlue tank (l) | | - | | |
| Hydrostatic transmission | | ● - 2V | | |
| EPD | | - | | |
| Axles | | Drop portal | | |
| Reduction hub | | RR700 | | |
| Machine brakes | Dry discs | | | |
| Automatic parking brake | ● | | | |
| | HYDRAULIC | | | |
| | Hydraulic pump | LS | | |
| | Flow rate/pressure (l/min – bar) | 104 - 250 | | |
| | Hydraulic tank | 100 | | |
| | Hydraulic outlet at the top of the boom | ● | | |
| | Rear hydraulic outlets | ○ | | |
| | CAB | | | |
| | Cab configuration | ECO | | |
| | ASCS | Complet | | |
| | FOPS LIV II cab | ● | | |
| | ROPS cab | ● | | |
| | Cab commands | Electronic joystick | | |
| | Tilting Cab | - | | |
| Reverse shuttle | Dual reverse | | | |
| | CONFIGURATION | | | |
| | Cab suspension | - | | |
| | Boom suspension | - | | |
| | Suspension on axles | - | | |
| | Work headlights on cab | ● | | |
| | Sun blind | ● | | |
| | Tac-lock | ● | | |
| | Provision for a platform | ○ | | |
| | Two floating forks | ● | | |
| | Inching-Control | ● | | |
| | Four-wheel drive | ● | | |
| | Four-wheel steering | ● | | |
| | Three steering modes | ● | | |
| | Standard tyres | 400/70-24 | | |
| | Optional tyres | - | | |
| | Stabilisers | - | | |
| | Turret rotation | - | | |
| | Type approval as an agricultural tractor | - | | |
| | Approval with PNEUMATIC braking | - | | |
| | Approval with HYDRAULIC braking | - | | |
| PTO | - | | | |
| 3-point linkage | - | | | |

- Not Available. ● standard. ○ optional.

[WA](#)
[NT](#)
[QLD](#)
[NSW](#)
[VIC](#)
[SA](#)

HIRE

SALES

SERVICE

LEASE

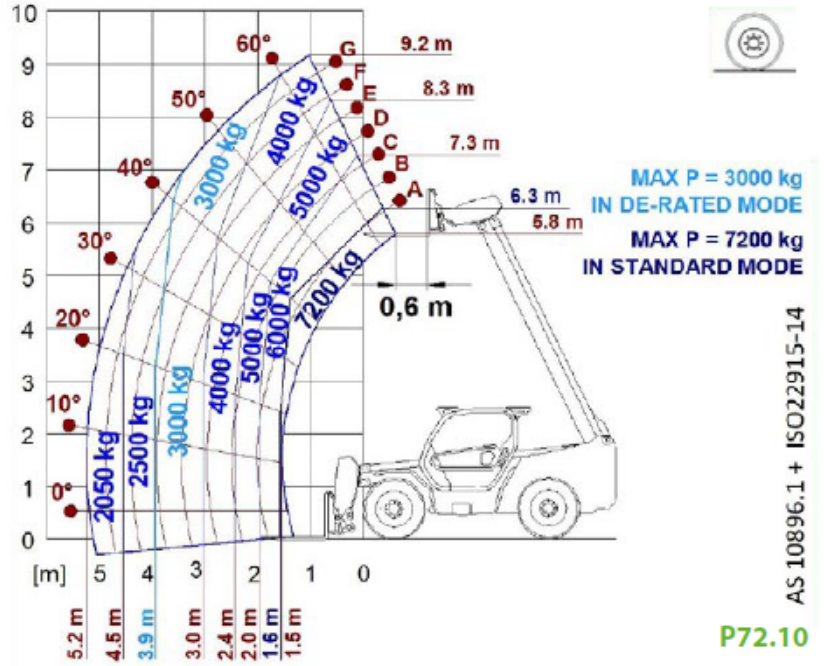
TRANSPORT

PANORAMIC 72.10 EE TELEHANDLER

7.2T DIESEL 10.0M TELEHANDLER

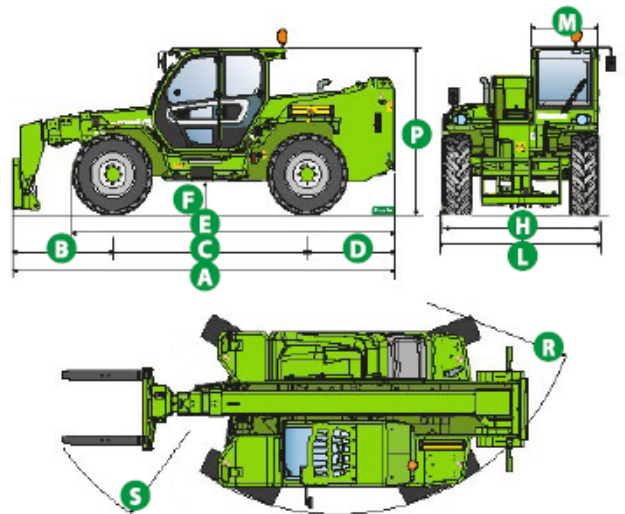


LOAD CHARTS



DIMENSIONS

| | P72.10 EE | | |
|--------|-----------|--|--|
| A (mm) | 5480 | | |
| B (mm) | 1255 | | |
| C (mm) | 2920 | | |
| D (mm) | 1304 | | |
| E (mm) | 4815 | | |
| F (mm) | 450 | | |
| H (mm) | 2240 | | |
| L (mm) | - | | |
| M (mm) | 1010 | | |
| P (mm) | 2500 | | |
| R (mm) | 3970 | | |
| S (mm) | 4990 | | |



WA

NT

QLD

NSW

VIC

SA