

BT22RT BOOM LIFT

67FT DIESEL BOOM LIFT TELESCOPIC

Size	Metric	British
Max. Working Height	22.51m	73ft 10in
Max. Platform Height	20.51m	67ft 4in
Max. Operating Range(+0.6m)	17.28m	56ft 8in
Max. Platform Range	16.68m	54ft 9in
Overall Length(Stowed) A	10.16m	33ft 4in
Overall Length(Transport)	10.36m	34ft
Overall Width(Stowed) B	2.50m	8ft 2in
Overall Width(Transport)	2.28m	7ft 6in
Overall Height(Stowed) C	2.65m	8ft 8in
Overall Height(Transport)	2.46m	8ft 1in
Platform Size(Length×Width)	2.44m×0.91m	8ft×3ft
Turntable Tailswing	1.19m	3ft 11in
Ground Clearance D	0.28m	11in
Wheelbase E	2.40m	7ft 10in
Turning Radius(Inside/Outside)	1.65/2.62m	5ft 5in/8ft 7in
Tyres	315/55D20	315/55D20

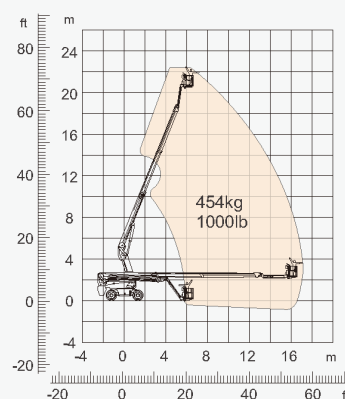
Performance		
S.W.L	454kg	1000lb
Max. Occupants	3	3
Gradeability	45%	45%
Travel Speed(Stowed)	6.0km/h	3.7mph
Travel Speed(Raised)	1.1km/h	0.7mph
Max. Working Slope	X-5°/Y-5°	X-5°/Y-5°
Turret Rotation	360°Continuous	360°Continuous
Platform Rotation	180°	180°
Jib Movement	135°	135°

Weight		
Overall Weight	13000kg	28660lb

Power		
Diesel Engine	Deutz D2.9 L4 / 36.4kW	Deutz D2.9 L4 / 36.4kW
Emergency Power System	12V	12V
Driving Motor	135L	35gal
Hydraulic Tank	165L	43gal



ENGINE



Range Of Motion

