

[HIRE](#)
[SALES](#)
[SERVICE](#)
[LEASE](#)
[TRANSPORT](#)

## MC-X 30-4 FORKLIFT

### 3.0T DIESEL ROUGH TERRAIN FORKLIFT



Technical characteristics			Metric
1.1	Manufacturer		Manitou
1.2	Model Name		MX 30-4
1.3	Power source		Diesel
1.4	Operator type		Seated
1.5	Max. capacity	Q	3000 kg
1.6	Load centre of gravity	c	500 mm
1.8	Load distance, centre of drive axle to fork	x	810 mm
1.9	Wheelbase	y	2.1 mm
Weight			
2.1	Service weight		5320 kg
2.2	Weight on front axle (laden) / rear axle (laden)		6550 kg / 1370 kg
2.3	Weight on front axle (Unladen) / rear axle (Unladen)		2370 kg / 2950 kg
Wheels			
3.1	Tyres type		Pneumatic
3.3	Dimensions of rear wheels		10,5/80-18 10PR TG42 TL
3.5	Number of front wheels / rear wheels		2 / 2
3.5.2	Number of drive wheels		2
3.6	Front wheel gauge	b10	1670 mm
Dimensions			
4.1	Tilt of Mast Forward (deg) / Backward (deg)	α / β	6 / 12
4.7	Height of overhead guard (cabin)	h6	2540 mm
4.19	Overall length	l1	4835 mm
4.20	Length to face of forks	l2	3635 mm
4.21	Overall width	b1	2105 mm
4.23	Fork carriage ISO 2328 (class/form) A/B		FEM3
4.24	Fork carriage width	b3	1470 mm
4.31	Ground clearance below mast	m1	495 mm
4.32	Ground clearance at centre of wheelbase	m2	395 mm
4.36	Internal turning radius (over tyres)	b13	1350 mm
4.35	Turning radius	Wa	4070 mm
Performances			
5.1	Travel speed (laden / unladen)		27 km/h / 27 km/h
5.2	Lifting speed (laden / unladen)		0.5 m/s / 0.6 m/s
5.3	Lowering speed (laden / unladen)		0.5 m/s / 0.5 m/s
5.5	Drawbar pull (Laden / Unladen)		5685 daN / 3665 daN
5.10	Service brake		Hydraulic
Engine			
7.1	Engine brand / model		Perkins / 1104D-44T NL38894
7.3	Rated speed		2360 rpm
Miscellaneous			
8.1	Type of drive control		Hydraulic

[WA](#)
[NT](#)
[QLD](#)
[NSW](#)
[VIC](#)
[SA](#)

HIRE

SALES

SERVICE

LEASE

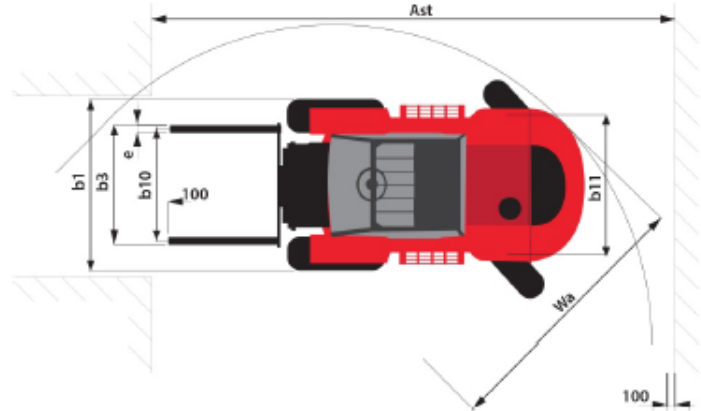
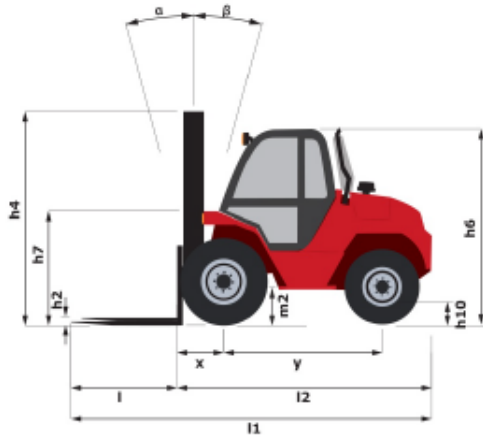
TRANSPORT

## MC-X 30-4 FORKLIFT

3.0T DIESEL ROUGH TERRAIN FORKLIFT



### Dimensional drawing



### Characteristics of masts and residual capacities

		FLT 55
h2 - Free lift	mm	2
h1 - Height mast lowered *	mm	2975
h4 - Height mast extended *	mm	6532
α / β - Mast inclination (front / rear)	°	6 / 12

Full Visibility Duplex	FVD 30	FVD 33	FVD 35	FVD 37	FVD 40	FVD 45	FVD 50	FVD 55	FVD 60
h2 - Free lift	mm	130	130	130	130	130	130	130	130
h1 - Height mast lowered *	mm	2375	2525	2625	2785	2975	3225	3475	3975
h3 - Lifting Height	mm	3000	3300	3500	3700	4000	4500	5000	6000
h4 - Height mast extended *	mm	4115	4415	4615	4815	5115	5615	6115	7115
α / β - Mast inclination (front / rear)	°	6 / 12	6 / 12	6 / 12	6 / 12	6 / 12	6 / 12	6 / 12	6 / 12
Residual capacity at max height	kg							1500	
Residual capacity without attachment (Industrial load chart)	kg							1500	

Free Lift Triplex	FLT 37	FLT 40	FLT 43	FLT 47	FLT 50	FLT 60	
h2 - Free lift	mm	1283	1383	1533	1633	1793	2233
h1 - Height mast lowered *	mm	2275	2375	2525	2625	2785	3225
h3 - Lifting Height	mm	3700	4000	4300	4700	5000	6000
h4 - Height mast extended *	mm	4732	5032	5332	5732	6032	7032
α / β - Mast inclination (front / rear)	°	6 / 12	6 / 12	6 / 12	6 / 12	6 / 12	6 / 12
Residual capacity at max height	kg	3000	3000	2500	2250	1500	
Residual capacity without attachment (Industrial load chart)	kg	3000	3000	2500	2250	1500	
Residual capacity with integrated side shift (Industrial load chart)	kg			2500	1750	1250	

Full Visibility Triplex	FVT 55	
h2 - Free lift	mm	0
h1 - Height mast lowered *	mm	3055
h3 - Lifting Height	mm	5500
h4 - Height mast extended *	mm	6725
α / β - Mast inclination (front / rear)	°	6 / 12
Residual capacity at max height	kg	2100
Residual capacity without attachment (Industrial load chart)	kg	2100

WA

NT

QLD

NSW

VIC

SA