

HIRE

SALES

SERVICE

LEASE

TRANSPORT

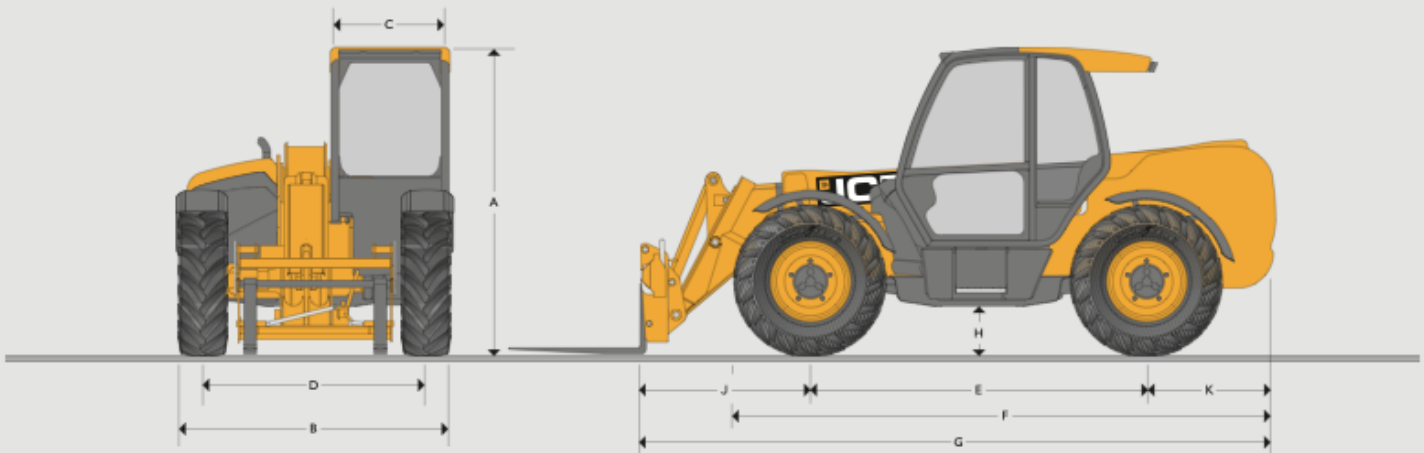
541-70 AGRI TELEHANDLER

4.0T DIESEL TELEHANDLER AGRICULTURAL (7.0M)



SPECIFICATION CONSTRUCTION LOADALLS 531-70/541-70/535-95/533-105/535-125 HViz/540-140 HViz/540-170/540-180 HViz/540-200

STATIC DIMENSIONS



STATIC DIMENSIONS

Machine model		531-70	541-70	535-95	533-105	535-125 HViz	540-140 HViz	540-170	540-180 HViz	540-200
A Overall height	m	2.49	2.49	2.49	2.49	2.59	2.59	2.69	2.59	2.72
B Overall width (over tyres)*	m	2.23	2.23	2.36	2.36	2.35	2.35	2.44	2.35	2.44
C Inside width of cab	m	0.94	0.94	0.94	0.94	0.94	0.94	0.94	0.94	0.94
D Front track	m	1.81	1.81	1.87	1.87	1.90	1.90	1.90	1.90	1.97
E Wheelbase	m	2.75	2.75	2.75	2.75	2.75	2.75	2.75	2.75	2.75
F Overall length to front tyres	m	4.38	4.38	4.38	4.38	4.74	4.74	5.08	4.75	5.09
G Overall length to front carriage	m	4.99	4.99	4.99	5.38	5.80	6.23	6.36	6.27	6.81
H Ground clearance	m	0.40	0.40	0.40	0.40	0.40	0.40	0.40	0.40	0.41
J Front wheel centre to carriage	m	1.25	1.25	1.20	1.62	1.68	2.11	1.94	2.15	2.39
K Rear wheel centre to rear face	m	0.99	0.99	1.04	1.01	1.37	1.37	1.67	1.37	1.67
Overall width with stabilisers fully deployed	m	NA	NA	NA	2.63	2.57	2.57	3.55	3.39	3.82
Outside turn radius (over tyres)	m	3.7	3.7	3.7	3.7	3.75	3.75	4.10	3.75	4.1
Carriage rollback angle	degrees	42.6	42.6	41.0	41.2	37.0	37.0	39	36.50	39
Carriage dump angle	degrees	37.5	37.5	24.0	24.0	12.5	12.5	8.8	12.50	8.8
Weight	kg	7060	7850	8215	8850	10066	10880	12060	11380	12985
Tyres		15.5/80-24	15.5/80-24	15.5/80-24	15.5/80-24	15.5/80-24	15.5/80-24	15.5/80-24	15.5-25	17.5-25

* Type dependent

WA

NT

QLD

NSW

VIC

SA

HIRE

SALES

SERVICE

LEASE

TRANSPORT

541-70 AGRI TELEHANDLER

4.0T DIESEL TELEHANDLER AGRICULTURAL (7.0M)



SPECIFICATION CONSTRUCTION LOADS 531-70/541-70/535-95/533-105/535-125 HVz/540-140 HVz/540-170/540-180 HVz/540-200

ENGINE	531-70	541-70	535-95	533-105	535-125 HVz	540-140 HVz	540-170	540-180 HVz	540-200
JCB EcoMAX T4 Final, Capacity 4 cylinder 4.4ltrs, Aspiration turbocharged cooled									
Engine 55kW (75hp) @ 2200rpm, 400Nm torque at 1300rpm	Standard	Standard	Standard	Standard	Standard	Standard	Option	Standard	Standard
Engine 81kW (110hp) @ 2200rpm, 512Nm torque at 1300rpm	Option	Option	Option	Option	Option	Option	Standard	N/A	Option
Engine 93kW (125hp) @ 2200rpm, 550Nm torque at 1300rpm	Option	Option	Option	Option	Option	Option	Option	N/A	Option

HYDRAULIC CYCLE TIMES	531-70	541-70	535-95	533-105	535-125 HVz	540-140 HVz	540-170	540-180 HVz	540-200
Boom raise	7.2	8.8	9.1	8.8	10.4	13.5	22.7	13.8	17.3
Boom lower	5.4	6.5	7.7	8.5	8.1	11	23.4	10.2	15.9
Extend	6.8	6.8	10.5	13.2	15.7	15.6	18.3	22.4	28.1
Retract	5	5	11.2	13.6	12.8	14.4	16.7	17.9	22.7
Bucket dump	3.5	3.5	2.4	2.4	1.8	1.7	4.2	2.9	6.1
Bucket crowd	2.9	2.9	3.5	3.4	2.3	2.0	4.6	2.6	5.9

HYDRAULICS	Hydraulic System Pressure (bar)	Max. Pump flow (litres)
531-70	241	82
541-70	260	82
535-95	241	82
533-105	241	82
535-125	260	110
540-140	260	110
540-170	260	90+72
540-180	260	103
540-200	260	110

TRANSMISSION
Torque converter, 4 speed powershift gearbox.
Travel speed 531-70/541-70/535-95/533-105: 29kph, 33kph (when 24WD select is specified).
Travel speed 535-125/540-140/540-170: 29kph, Optional 33kph transmission.
Travel speed 540-180/540-200: 29kph.

BRAKING
Service brake: Servo-assisted, hydraulically oil-immersed multi-disc on front and rear axle.
Parking brake: Hand operated disc brake on output of gearbox, (93kW/125hp – oil immersed disc type).

CAB
Conforms to ROPS ISO 3471 and FOPS ISO 3449

OPTIONS
Front and rear working lights, rotating flashing beacon, fire extinguisher, traction and industrial tyres, electrical 24WD select, limited slip differential in front axle, windscreen and roof guard, air suspension seat, deluxe cab trim, roof and front screen blind, radio kit, air conditioning, reversing fan, deluxe trim, armrest (SLC only), roof moulding.
Single lever mechanical joystick, with push button extend and retract.
Single lever servo joystick option on 535-125, 540-140 & 540-180.
Options of rear or rear & offside reversing cameras with the extra option to add pulse radar all with dash mounted screen.
Centralised greasing available on the 540-180 HVz

NOISE AND VIBRATION	55kW	81kW	93kW	Uncertainty	Measurement conditions.
Noise at the operator station	LpA	77	80	81	+/- 1 dB Determined in accordance with the test method defined in EN12033.
Noise emission from the machine LWA		104	106	107	+/- 1 dB Guaranteed equivalent sound power (external noise) determined in accordance with the dynamic test conditions defined in 2000/14/EC.
Hand-arm vibration	m/s ²	<2.5	<2.5	<2.5	N/A ISO 5349-2:2001 dynamic test conditions.

All JCB Loadalls comply with Australian standard 1418.19

WA

NT

QLD

NSW

VIC

SA

HIRE

SALES

SERVICE

LEASE

TRANSPORT

541-70 AGRI TELEHANDLER

4.0T DIESEL TELEHANDLER AGRICULTURAL (7.0M)



CONSTRUCTION LOADALLS 531-70/541-70/535-95/533-105/535-125 HiViz/540-140 HiViz/540-170/540-180 HiViz/540-200

SPECIFICATION

LIFT PERFORMANCE

	531-70	541-70	535-95	535-95 Sway
Maximum lift capacity	kg 3000	kg 4000	kg 3000	kg 3000
Lift capacity to full height	kg 2700	kg 2400	kg 1600	kg 1600
Lift capacity at full reach	kg 1300	kg 1500	kg 500	kg 500
Lift height	m 7.0	m 7.0	m 9.50	m 9.50
Reach at maximum lift height	m 0.54	m 0.54	m 2.49	m 2.49
Maximum forward reach	m 3.7	m 3.7	m 6.52	m 6.52
Reach with 1 tonne load	m 3.7	m 3.7	m 5.08	m 5.08
Placing height	m 6.3	m 6.3	m 8.78	m 8.78

Complies with stability test EN 1459 Annex B, Chassis Levelling (Sway) with stabilisers retracted (Sway angle ± 9°).

LIFT PERFORMANCE

	533-105 Stabilisers retracted	533-105 Stabilisers extended	535-125 HiViz Stabilisers retracted Sway	535-125 HiViz Stabilisers extended Sway
Maximum lift capacity	kg 3000	kg 3000	kg 3000	kg 3000
Lift capacity to full height	kg 1000	kg 2500	kg 1500	kg 3500
Lift capacity at full reach	kg 300	kg 900	kg 200	kg 1350
Lift height	m 10.22	m 10.22	m 11.6	m 12.27
Reach at maximum lift height	m 2.69	m 1.99	m 2.01	m 0.54
Maximum forward reach	m 6.83	m 6.83	m 8.06	m 8.06
Reach with 1 tonne load	m 6.83	m 6.83	m 5.31	m 8.06
Placing height	m 9.44	m 9.82	m 11	m 11.75

Complies with stability test EN 1459 Annex B, Chassis Levelling (Sway) with stabilisers retracted (Sway angle ± 9°).

WA

NT

QLD

NSW

VIC

SA