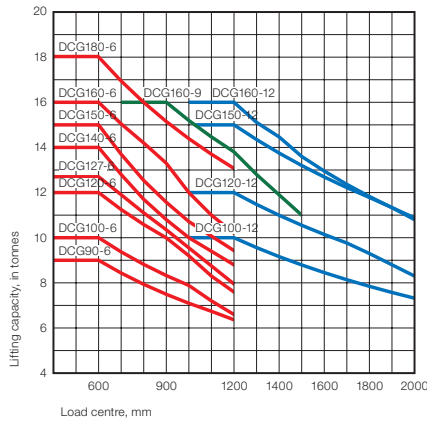


## DCG 127-6 FORKLIFT

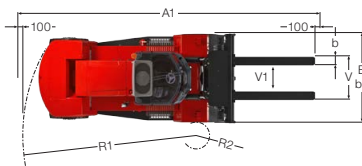
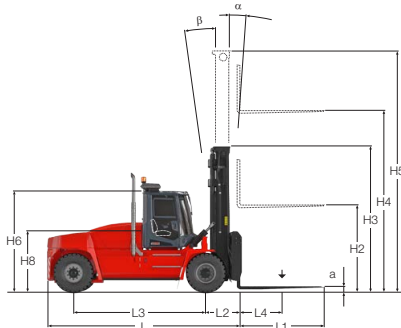
### 12.7T DIESEL HEAVY DUTY FORKLIFT



### Technical information



DCG90-6 to DCG180-6 models:  
Full lifting capacity up to 5000 mm lift height with duplex/duplex freelift/triplex masts and integrated sideshift/fork positioning carriage.



		DCG 90-6	DCG 100-6	DCG 120-6	DCG 140-6	DCG 150-6	DCG 160-6	DCG 160-9	DCG 160-12	DCG 180-6
MAIN DATA	Model designation	DCG 90-6	DCG 100-6	DCG 120-6	DCG 140-6	DCG 150-6	DCG 160-6	DCG 160-9	DCG 160-12	DCG 180-6
	Power source	Diesel	Diesel	Diesel	Diesel	Diesel	Diesel	Diesel	Diesel	Diesel
	Rated capacity / rated load	kg	9000	10000	12000	14000	15000	16000	16000	18000
	Load center distance	mm	L4	L4	L4	L4	L4	L4	L4	L4
WEIGHTS	Load distance, center of drive axle to fork	mm	L2	L2	L2	L2	L2	L2	L2	L2
	Wheelbase	mm	L3	L3	L3	L3	L3	L3	L3	L3
	Service weight	kg	15200	15600	16000	16400	16800	17200	17600	18000
	Axle loading, loaded front	kg	7800	8100	8400	8700	9000	9300	9600	9900
WHEELS	Axle loading, loaded rear	kg	21700	23100	24500	25900	27300	28700	30100	31500
	Axle loading, unloaded front	kg	7400	7500	7600	7700	7800	7900	8000	8100
	Axle loading, unloaded rear	kg	2500	2500	2500	2500	2500	2500	2500	2500
	Type, front / rear									
DIMENSIONS	Tyre size, front	inch	11,00x20/16PR							
	Tyre size, rear	inch	11,00x20/16PR							
	Number of wheels, front / rear (x = driven wheels)		4x / 2	4x / 2	4x / 2	4x / 2	4x / 2	4x / 2	4x / 2	4x / 2
	Track width, front / rear	mm	S	1840 / 1960	1840 / 1960	1840 / 1960	1840 / 1960	1840 / 1960	1840 / 1960	1840 / 1960
OTHERS	Tyre pressure	MPa	0,9	0,9	0,9	0,9	0,9	0,9	0,9	0,9
	Mast tilt, α = forward / β = backward	°	α / β	5 / 10	5 / 10	5 / 10	5 / 10	5 / 10	5 / 10	5 / 10
	Height of mast lowered	mm	H3	4015	4015	4015	4015	4015	4015	4015
	Lift height	mm	H4	5000	5000	5000	5000	5000	5000	5000
	Height of mast extended	mm	H5	6515	6515	6515	6515	6515	6515	6515
	Truck height – EGO / OHG cabin roof	mm	H6	2895	2895	2895	2895	2895	2895	2895
	Seat height	mm	H8	1745	1745	1745	1745	1745	1745	1745
	Height when tilting EGO cab / OHG	mm	T1	3370	3370	3370	3370	3370	3370	3370
	Width when tilting EGO cab / OHG	mm	T2	3350	3350	3350	3350	3350	3350	3350
	Truck length (to face of forks)	mm	L	4470	4720	4720	4720	4720	4720	4720
	Truck width	mm	B	2480	2480	2480	2480	2480	2480	2480
	Fork dimensions, width	mm	b	200	200	200	200	200	200	200
	Fork dimensions, thickness	mm	a	65	65	65	65	65	65	65
	Fork dimensions, length of fork arm	mm	l	1200	1200	1200	1200	1200	1200	1200
Fork carriage width	mm	b3	2450	2450	2450	2450	2450	2450	2450	
Width over fork arms, minimum / maximum	mm	V	2330 / 570	2330 / 570	2330 / 570	2330 / 570	2330 / 570	2330 / 570	2330 / 570	
Sideshift ± @ width over forks	mm	V1 / V	440 / 1450	440 / 1450	440 / 1450	440 / 1450	440 / 1450	440 / 1450	440 / 1450	
Ground clearance, laden, below mast	mm		250	250	250	250	250	250	250	
Ground clearance, machine	mm		330	330	330	330	330	330	330	
Min. aisle width for 90° stacking with forks	mm	A1	6240	6470	6470	6470	6470	6470	6470	
Turning radius	mm	R1	3950	4180	4180	4180	4180	4180	4180	
Internal turning radius	mm	R2	75	75	75	75	75	75	75	
OPERATING	Operating pressure for hydraulics	MPa	16,0	17,0	17,0	17,0	17,0	17,0	17,0	17,0
	Hydraulic oil tank, capacity	l	215	220	220	220	220	220	220	220
	Fuel tank, capacity	l	152	170	170	170	170	170	170	170
	AdBlue tank, capacity	l	15	15	15	15	15	15	15	15

HIRE

SALES

SERVICE

LEASE

TRANSPORT

## DCG 127-6 FORKLIFT

### 12.7T DIESEL HEAVY DUTY FORKLIFT



	DCG 90-6	DCG 100-6	DCG 120-6	DCG 127-6	DCG 140-6	DCG 150-6	DCG 100-12	DCG 120-12	DCG 150-12	DCG 160-6	DCG 160-9	DCG 160-12	DCG 180-6	DCG 70-35 E3	DCG 70-35 E4
	DCG 90-6	DCG 100-6	DCG 120-6	DCG 127-6	DCG 140-6	DCG 150-6	DCG 100-12	DCG 120-12	DCG 150-12	DCG 160-6	DCG 160-9	DCG 160-12	DCG 180-6	DCG 70-35 E3	DCG 70-35 E4
	Diesel	Diesel	Diesel	Diesel	Diesel	Diesel	Diesel	Diesel	Diesel	Diesel	Diesel	Diesel	Diesel	Diesel	Diesel
kg	9000	10000	12000	12700	14000	15000	10000	12000	15000	16000	16000	16000	18000	7000	7000
mm L4	600	600	600	600	600	600	1200	1200	1200	600	900	1200	600	1220	1220
mm L2	895	895	900	900	910	980	990	990	1000	980	990	1000	990	1330	1330
mm L3	2800	3000	3000	3000	3250	3250	3250	3500	3500	3500	3500	3750	3250	3500	3500
kg	15200	15600	16200	16700	16900	19800	18600	19700	22300	19200	21200	22400	21600	24000	28000
kg	7800	8100	8300	8300	8400	10300	10000	10100	10200	10200	10200	10500	10300	14800	18100
kg	21700	23100	26500	27350	28900	32650	26700	29600	34600	34800	34800	35800	37100	26900	30200
kg	7400	7500	7900	8400	8500	9500	8600	9600	12000	9200	11000	11900	11300	9200	9700
kg	2500	2500	1900	2050	2000	2150	1900	2100	2600	2400	2400	2600	2500	4100	4600
	Pneumatic / Pneumatic														
inch	11,00x20/16PR				12,00x20/20PR								12,00x20/20PR HD	12,00x20/20PR	
inch	11,00x20/16PR				12,00x20/20PR								12,00x20/20PR HD	12,00x20/20PR	
mm S	4x / 2	4x / 2	4x / 2	4x / 2	4x / 2	4x / 2	4x / 2	4x / 2	4x / 2	4x / 2	4x / 2	4x / 2	4x / 2	4x / 2	4x / 2
MPa	1840 / 1960	1840 / 1960	1840 / 1960	1855 / 1960	1855 / 1960	1855 / 1960	1855 / 1960	1855 / 1960	1855 / 1960	1855 / 1960	1855 / 1960	1855 / 1960	1855 / 1960	1855 / 1960	1855 / 1960
MPa	0,9	0,9	0,9	0,9	0,9	0,9	0,9	0,9	0,9	0,9	1,0	1,0	1,0	0,9	0,9
°	5 / 10	5 / 10	5 / 10	5 / 10	5 / 10	5 / 10	5 / 10	5 / 10	5 / 10	5 / 10	5 / 10	5 / 10	5 / 10	3 / 5	3 / 5
mm H3	4015	4015	4015	4035	4035	4195	4195	4195	4195	4195	4195	4195	4195	5195	7075
mm H4	5000	5000	5000	5000	5000	5000	5000	5000	5000	5000	5000	5000	5000	7000	10000
mm H5	6515	6515	6515	6535	6535	6565	6565	6565	6565	6565	6565	6565	6565	8695	12075
mm H6	2895	2895	2895	2920	2920	2920	2920	2920	2920	2920	2920	2920	2920	2920	2920
mm H8	1745	1745	1745	1770	1770	1770	1770	1770	1770	1770	1770	1770	1770	1770	1770
mm T1	3370	3370	3370	3395	3395	3395	3395	3395	3395	3395	3395	3395	3395	3395	3395
mm T2	3350	3350	3350	3380	3380	3380	3380	3380	3380	3380	3380	3380	3380	3380	3380
mm L	4470	4720	4725	4725	4985	5055	5065	5315	5325	5305	5315	5575	5065	5595	5845
mm B	2480	2480	2480	2480	2540	2540	2540	2540	2540	2540	2540	2540	2540	2540	2900
mm b	200	200	200	200	200	200	220	220	250	200	220	250	220	-	-
mm a	65	65	70	70	80	80	90	90	100	80	90	100	90	-	-
mm I	1200	1200	1200	1200	1200	1200	2400	2400	2400	1200	1800	2400	1200	-	-
mm b3	2450	2450	2450	2450	2450	2500	2500	2500	2500	2500	2500	2500	2500	2450	2450
mm V	2330 / 570	2330 / 570	2330 / 570	2330 / 570	2330 / 570	2360 / 600	2360 / 640	2360 / 640	2360 / 700	2360 / 600	2360 / 640	2360 / 700	2360 / 640	-	-
mm V1 / V	440 / 1450	440 / 1450	440 / 1450	440 / 1450	440 / 1450	440 / 1480	430 / 1500	430 / 1500	415 / 1530	440 / 1480	430 / 1500	415 / 1530	430 / 1500	140	140
mm	250	250	250	250	250	250	250	250	250	250	250	250	250	250	250
mm	330	330	330	350	350	350	350	350	350	350	350	350	350	350	350
mm A1	6240	6470	6475	6475	6665	6735	7945	8370	8380	7160	8160	8770	6745	8900 / 13800	9200 / 13900
mm R1	3950	4180	4180	4180	4360	4360	4360	4785	4785	4785	4785	5175	4570	4360	4785
mm R2	75	75	75	75	125	125	125	420	420	420	420	600	270	420	420
MPa	16,0	17,0	17,5	18,0	19,0	16,5	12,5	15,0	17,0	17,0	17,5	18,0	19,0	19,5	20,0
I	215	220	220	220	220	220	220	220	220	220	220	220	220	220	220
I	152	170	170	170	170	170	170	170	170	170	170	170	170	170	170
I	15	15	15	15	15	15	15	15	15	15	15	15	15	15	15

WA

NT

QLD

NSW

VIC

SA