

HIRE

SALES

SERVICE

LEASE

TRANSPORT

## H16XD12 FORKLIFT

16.0T DIESEL HEAVY DUTY FORKLIFT



### > H16XD9 / H16XD12 SPECIFICATIONS

		H16XD9		H16XD12				
GENERAL	1-1	Manufacturer	HYSTER		HYSTER			
	1-2	Model designation	H16XD9		H16XD12			
	1-3	Powertrain / drivetrain	Diesel		Diesel			
	1-4	Operator type	Seated		Seated			
	1-5	Load capacity at load center, nominal (1)	Q	kg	16,000	16,000		
	1-6	Load center distance	c	mm	900	1,200		
	1-8	Load distance	x	mm	973	973		
	1-9	Wheelbase	y	mm	3,750	3,750		
	WEIGHT	2-1	Service weight (1)	kg		21,837	23,337	
2-2		Axle loading with load, front / rear	kg	35,318	2,519	36,537	2,799	
2-3		Axle loading without load, front / rear	kg	11,326	10,510	11,266	12,071	
WHEELS	3-1	Tyre type	Pneumatic		Pneumatic			
	3-2	Tyre size, front	12.00 R 20		12.00 R 20			
	3-3	Tyre size, rear	12.00 R 20		12.00 R 20			
	3-5	Wheels, number front / rear (x = driven wheels)	4X / 2		4X / 2			
	3-6	Tread, front	b10	mm	2,218	2,218		
	3-7	Tread, rear	b11	mm	1,994	1,994		
	4-1	Mast tilt, forward / backward	α/β	deg	6° / 10°	6° / 10°		
DIMENSIONS	4-2	Height, mast lowered	h1	mm	3,985	3,985		
	4-3	Free lift	h2	mm	0	0		
	4-4	Lift	h3	mm	4,494	4,494		
	4-5	Height, mast extended	h4	mm	6,232	6,232		
	4-7	Height of overhead guard (closed cab)	h6	mm	3,083	3,083		
	4-7-1	Height of overhead guard (closed cab)	h6	mm	3,110	3,110		
	4-7-2	Height of overhead guard (closed cab w/ strobe light)	h6	mm	3,110	3,110		
	4-7-3	Height of overhead guard (closed cab w/ work lights)	h6	mm	3,205	3,205		
	4-7-4	Height of overhead guard (closed cab w/ work lights)	h6	mm	3,259	3,259		
	4-7-5	Height of overhead guard (closed cab w/ aircon & strobe light)	h6	mm	3,235	3,235		
	4-8	Seat height to SIP	h7	mm	1,903	1,903		
	4-12	Coupling height	h10	mm	713	713		
	4-16	Overhang	l5	mm	791	791		
	4-19	Overall length	l1	mm	7,954	7,954		
	4-20	Length to face of forks	l2	mm	5,514	5,514		
	4-21	Overall width	b2	mm	2,542	2,542		
	4-22	Fork dimensions ISO 2331	s/e/l	mm	100 / 200 / 2,440	100 / 200 / 2,440		
	4-23	Fork carriage type	Dual Function - Sideshift/Fork Positioning		Dual Function - Sideshift/Fork Positioning			
	4-24	Fork carriage width	b3	mm	2,540	2,540		
	4-25	Width over forks (min / max) cylinders inner position	b5	mm	555	1,045	555	1,045
	4-25	Width over forks (min / max) cylinders outer position	b5	mm	1,875	2,445	1,875	2,445
	4-30	Sideshift @ width over forks	b9	mm	+/-98	2250	+/-98	2250
	4-30	Sideshift @ width over forks cylinders inner position	b8	mm	+/-350	1745	+/-350	1745
	4-30	Sideshift @ width over forks cylinders outer position	b8	mm	+/-350	1175	+/-350	1175
	4-31	Ground clearance, laden, below mast	m1	mm	187	187		
	4-32	Ground clearance, centre of wheelbase	m2	mm	341	341		
	4-33	Load dimension b12 x l6 crossways	mm	2,400	2,400	2,400	2,400	
4-34-1-2	Aisle width, with 200 mm operating clearance	Ast	mm	8,773	8,773			
4-34-1-3	Aisle width, with 10% operating clearance	Ast	mm	9,430	9,430			
4-35	Outside turning radius	Wa	mm	5,200	5,200			
4-36	Internal turning radius	b13	mm	2,026	2,026			
PERFORMANCE	5-1	Travel speed, with / without load (2)	km/h	27.1	28.7	27.1	28.7	
	5-1-1	Travel speed, with load locked / without load (2)	km/h	On request		On request		
	5-2	Lifting speed, with / without load backwards	m/s	0.39	0.44	0.39	0.44	
	5-2-1	Lifting speed, with 70% load	m/s	0.42		0.42		
	5-3	Lowering speed with / without load	m/s	0.54	0.45	0.54	0.45	
	5-5	Drawbar pull - 1.6 km/h   1 mph, with / without load	kN	106	109	106	109	
	5-5-1	Drawbar pull - stall, with / without load	kN	120	123	120	123	
5-7	Gradeability - 1.6 km/h   1 mph, with / without load	%	30	36	29	33		
5-7-1	Gradeability - stall, with / without load	%	35	36	33	33		

(1) Based on Stage IIIB engine  
 (2) Travel speed unladen limited at 25 km/h as factory default

1-1	M
1-2	M
1-3	P
1-4	O
1-5	Lc
1-6	Lc
1-8	Lc
1-9	V
2-1	S
2-2	A
2-3	A
3-1	Ty
3-2	Ty
3-3	Ty
3-5	W
3-6	Tr
3-7	Tr
4-1	M
4-2	H
4-3	Fr
4-4	Li
4-5	H
4-7	H
4-7-1	H
4-7-2	H
4-7-3	H
4-7-4	H
4-7-5	H
4-8	S
4-12	C
4-16	O
4-19	O
4-20	Li
4-21	O
4-22	Fr
4-23	Fr
4-24	Fr
4-25	W
4-25	W
4-30	S
4-30	S
4-30	S
4-31	G
4-32	G
4-33	Li
4-34-1-2	A
4-34-1-3	A
4-35	O
4-36	Ir
5-1	Tr
5-1-1	Tr
5-2	Li
5-2-1	Li
5-3	Lc
5-5	D
5-5-1	D
5-7	G
5-7-1	G

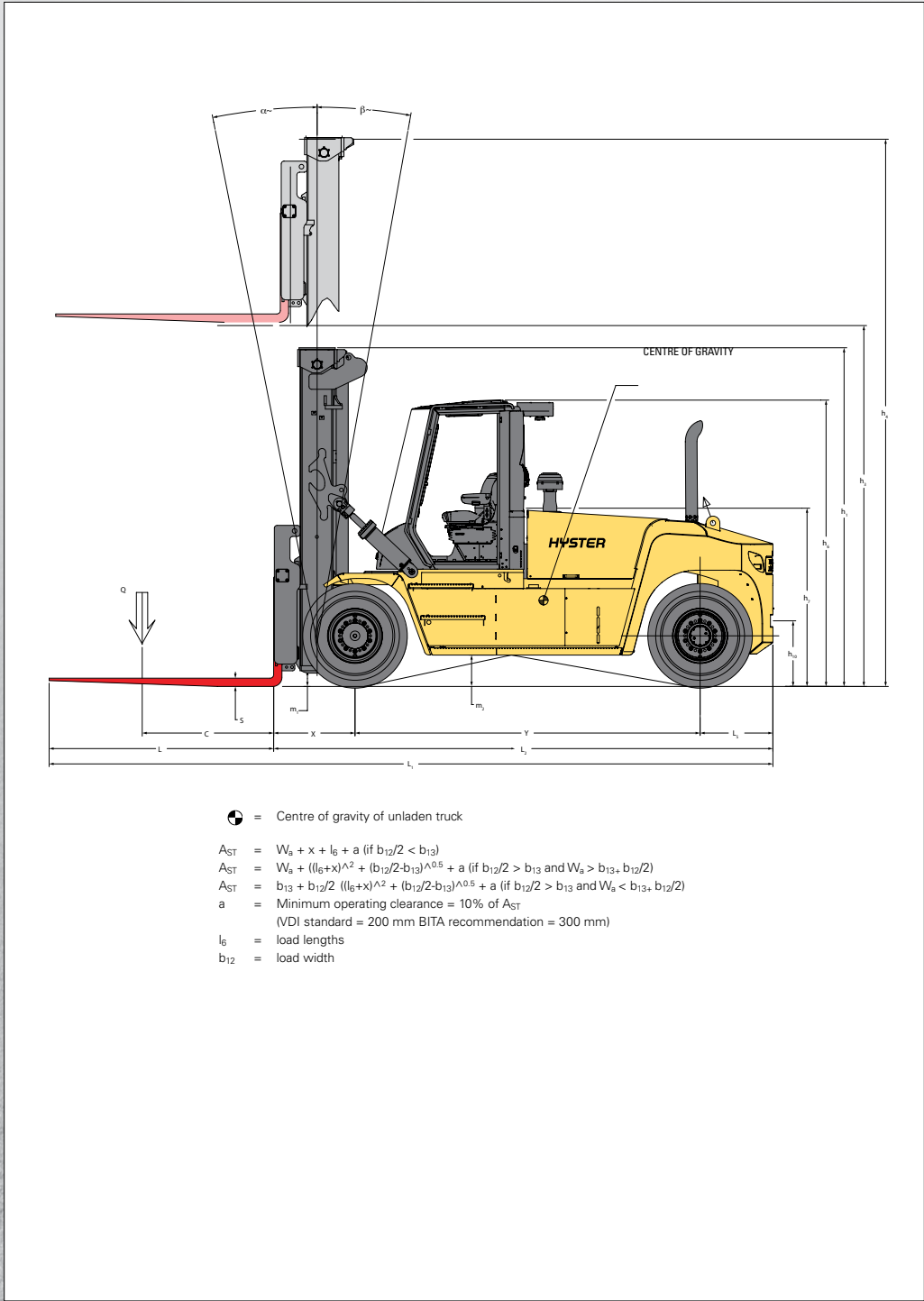
(1) Based on  
 (2) Travel spe

## H16XD12 FORKLIFT

### 16.0T DIESEL HEAVY DUTY FORKLIFT



#### > DIMENSIONS



GENERAL	1-1	M
	1-2	M
	1-3	Pe
ENGINE	7-1	En
	7-1a	EP
	7-2	En
	7-2-1	En
	7-3	Ra
	7-3-1	En
	7-4	Nu
	7-8	Alt
7-9	Elc	
7-10	Ba	
DRIVE	8-1	Dr
	8-2	Tr
	8-4	Tr
	8-5	Co
	8-6	Wl
	8-11	Se
8-12	Pa	
MISC	10-1	Op
	10-2	Oil
	10-3	Hy
	10-4	Fu
	10-4-1	DE
	10-5	St
	10-6	Nu
10-7	So	
10-7-1	So	
10-7-1	To	