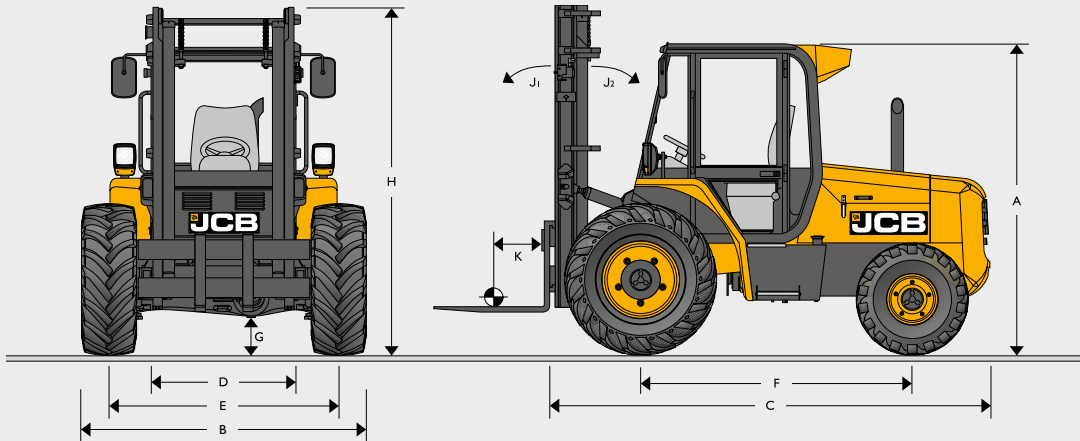


## 930 RTFL FORKLIFT

### 3.0T DIESEL FORKLIFT



#### STATIC DIMENSIONS



|    |                                  | 926    | 930  | 940  |      |
|----|----------------------------------|--------|------|------|------|
| A  | Overall cab height               | m      | 2.56 | 2.56 | 2.56 |
| B  | Overall width (over tyres)       | m      | 2.20 | 2.20 | 2.20 |
| C  | Overall length to front carriage | m      | 3.56 | 3.56 | 3.64 |
| D  | Inside width of cab              | m      | 1.10 | 1.10 | 1.10 |
| E  | Front track                      | m      | 1.80 | 1.80 | 1.80 |
| F  | Wheel base                       | m      | 2.13 | 2.13 | 2.21 |
| G  | Ground clearance                 | m      | 0.30 | 0.30 | 0.30 |
| H  | Mast closed height               |        |      |      |      |
|    | 3.6m mast                        | m      | 2.80 | 2.80 | 2.80 |
|    | 4.5m mast                        | m      | 2.49 | 2.49 | 2.49 |
|    | 5.5m mast                        | m      | 2.80 | 2.80 | 2.80 |
|    | 6.70m mast                       | m      | 3.20 | 3.20 | 3.20 |
|    | Mast open height                 |        |      |      |      |
|    | 3.6m mast                        | m      | 4.63 | 4.63 | 4.63 |
|    | 4.5m mast                        | m      | 5.46 | 5.46 | 5.46 |
|    | 5.5m mast                        | m      | 6.44 | 6.44 | 6.44 |
|    | 6.70m mast                       | m      | 7.66 | 7.66 | 7.66 |
| J1 | Mast tilt forwards               | degree | 18°  | 18°  | 10°  |
| J2 | Mast tilt backwards              | degree | 10°  | 10°  | 10°  |
| K  | Load centre                      | m      | 0.50 | 0.50 | 0.50 |

The above data is based on the following specification: Standard fork size 1067 x 100 x 50mm

#### WEIGHT

|                |    | 926  | 930  | 940  |
|----------------|----|------|------|------|
| Overall weight | kg | 5910 | 6340 | 7500 |

## 930 RTFL FORKLIFT

### 3.0T DIESEL FORKLIFT



#### 926/930/940 ROUGH TERRAIN FORK LIFT

#### SPECIFICATION

#### ENGINE

|                                    |         | 926/930/940        |
|------------------------------------|---------|--------------------|
| Model                              |         | JCB ECOMAX TCAE-55 |
| Displacement                       | litres  | 4.4                |
| Fuel                               |         | Diesel             |
| Cooling                            |         | Liquid             |
| Bore                               | mm      | 103                |
| Stroke                             | mm      | 132                |
| Gross power – ISO 14396 @2000 rpm  | kW (hp) | 55.0 (74)          |
| Gross torque – ISO 14396 @1300 rpm | Nm      | 400                |
| Emission certification             |         | TIER IV FINAL      |
| Engine oil service intervals       |         | 500 hours          |

#### TRANSMISSION

|                        |  | 926/930/940   |
|------------------------|--|---------------|
| Manufacturer           |  | JCB           |
| Type                   |  | Syncroshuttle |
| Torque converter       |  | 279mm (11")   |
| Torque converter ratio |  | 2.20:1        |
| Gears forward/reverse  |  | 4/4           |
| Gear selection         |  | Manual        |
| Shuttle control - F/R  |  | Power shuttle |
| Travel speeds          |  | kph (mph)     |
| Gear 1                 |  | 5.3 (3.2)     |
| Gear 2                 |  | 8.6 (5.3)     |
| Gear 3                 |  | 16.2 (10.1)   |
| Gear 4                 |  | 29.7 (18.4)   |

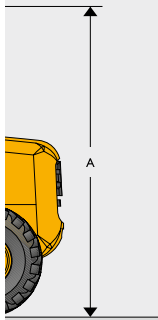
#### TURN RADIUS AND GROUND LINE ANGLES

|                         |   | 926  | 930  | 940  |
|-------------------------|---|------|------|------|
| Outside turn radius 2WD | m | 4.38 | 4.38 | 4.45 |
| Outside turn radius 4WD | m | 4.35 | 4.35 | 4.92 |
| Departure angle         |   | 53°  | 53°  | 53°  |
| Obstruction angle       |   | 51°  | 51°  | 51°  |

The above data is based on the following specification: Standard fork size: 1067 x 100 x 50mm

#### TYRES

|                |  | 926         | 930         | 940         |
|----------------|--|-------------|-------------|-------------|
| Standard Tyres |  | 16.5/85-24  | 16.5/85-24  | 16.5/85-24  |
| Front          |  | Traction    | Traction    | Traction    |
| Rear 2WD       |  | 12.5/80-18  | 12.5/80-18  | 12.5/80-18  |
|                |  | Rib and bar | Rib and bar | Rib and bar |
| Rear 4WD       |  | 12.5/80-18  | 12.5/80-18  | 12.5/80-18  |
|                |  | Traction    | Traction    | Traction    |



940

2.56

2.20

3.64

1.10

1.80

2.21

0.30

2.80

2.49

2.80

3.20

4.63

5.46

6.44

7.66

10°

10°

0.50

940

7500