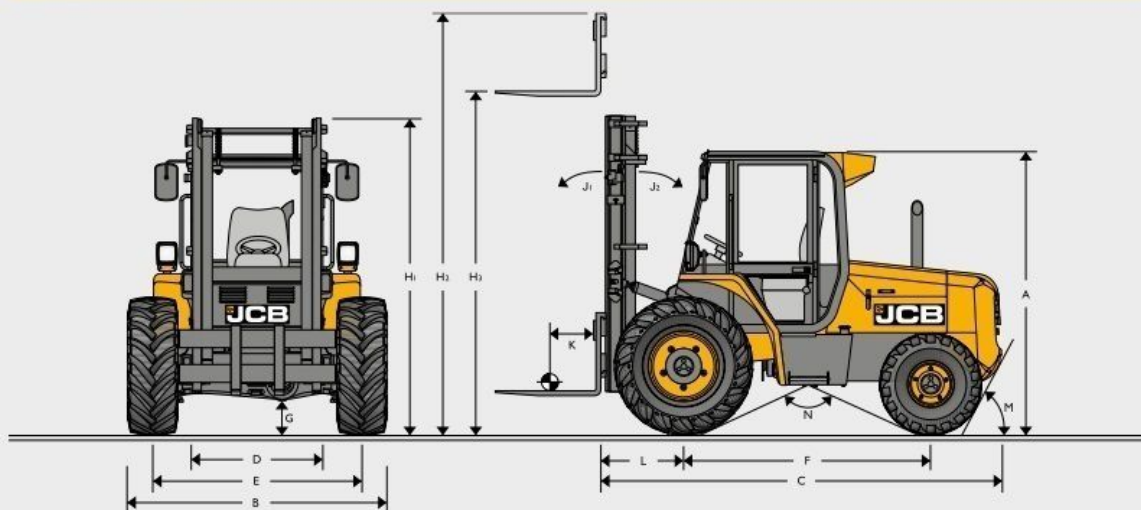


945 RTFL FORKLIFT

4.5T DIESEL FORKLIFT



STATIC DIMENSIONS

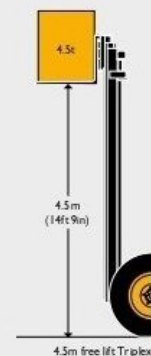


		945
Lift capacity	kg	4500
A	Overall cab height	m 2.56
B	Overall width (over tyres)	m 2.20
C	Overall length to front carriage (industrial or bar)	m 3.72
D	Inside width of cab	m 1.10
E	Front track	m 1.80
F	Wheel base	m 2.21
G	Ground clearance	m 0.33
H ₁	Mast closed height	2.93
H ₂	Mast open height	5.46
H ₃	Lift height to fork tip	4.62
J ₁	Mast tilt forwards	degrees 18°
J ₂	Mast tilt backwards	degrees 10°
K	Load centre	m 0.60
L	Distance from fork face to centre of front axle	m 0.79
M	Departure angle	degrees 53
N	Obstruction angle	degrees 51

945 CAPABILITIES (600MM LOAD CENTRE)



Complies with FEM Stability Test 4.001F



The above data is based on the following specification: Standard fork size 1067 x 100 x 50mm

ELECTRICAL SYSTEM

		945
System voltage	Volt	12
Alternator output	Amp hour	95
Battery capacity	Amp hour	120

Full road lighting, direction indicators, hazard warning reverse and fog light.

SERVICE CAPACITIES

		945
Fuel tank	litres	88
Hydraulic tank	litres	60
Engine oil sump	litres	12
Transmission oil system	litres	18
Engine coolant system	litres	17

WEIGHT

Overall weight

ENGINE

Model
Displacement
Fuel
Cooling
Bore
Stroke
Gross power
Gross torque
Emission cert
Engine oil ser

TRANSMISSION

Manufacturer
Type
Torque conv
Torque conv
Gears forward
Gear selection
Shuttle control
Travel speeds
Gear 1
Gear 2
Gear 3
Gear 4

TURN RADIUS

Outside turn

The above data

BRAKES

HYDRAULICS

MASTS AND CARRIAGES

AUTOMATIC DERATION

OPERATOR MODULE

945 RTFL FORKLIFT

4.5T DIESEL FORKLIFT



WEIGHT

		945
Overall weight	kg	8400

ENGINE

		945
Model		JCB ECOMAX TCAE-55
Displacement	litres	4.4
Fuel		Diesel
Cooling		Liquid
Bore	mm	103
Stroke	mm	132
Gross power – ISO 14396 @2000 rpm	kW (hp)	55 (74)
Gross torque – ISO 14396 @1300 rpm	Nm	400
Emission certification		TIER IV FINAL
Engine oil service intervals		500 hours

TYRES

	945
Standard tyres	15.5x25
Front (UK)	Industrial
Rear 4WD	14-17.5
	Traction



TRANSMISSION

	945
Manufacturer	JCB
Type	Syncroshuttle
Torque converter	279mm (11")
Torque converter ratio	2.20:1
Gears forward/reverse	4/4
Gear selection	Manual
Shuttle control - F/R	Power shuttle
Travel speeds	kph (mph)
Gear 1	5.3 (3.2)
Gear 2	8.6 (5.3)
Gear 3	16.2 (10.1)
Gear 4	29.7 (18.4)

TURN RADIUS

Outside turn radius 4WD	m	4.92
-------------------------	---	------

The above data is based on the following specification: Standard fork size 1067 x 100 x 50mm

BRAKES Service brakes: Hydraulic Servo assisted, self adjusting brakes on all models.
Parking brake: Hand operated disc brake on output of gearbox.

HYDRAULICS Single gear pump with steer priority valve, suction strainer and filter. Operating system pressure: 221 bar, flow 76 ltr/min. Pipe burst protection on mast hydraulics.

MASTS AND CARRIAGES Clearview masts manufactured from channel and I-section steel. Heavy-duty mast chains. Guide roller bearings are sealed for life. Industrial class IIIB carriage, or bar carriage available on various masts. Adjustable right hand tilt ram.

AUTOMATIC DERATION Deration valve: 5.5m and 6.7m are fitted with a deration valve which automatically reduces lift capacity above 4.5m for safety and stability.

OPERATOR MODULE Safety quiet cab or canopy, FOPS standard (falling object protective structure) to FEM Section IV and ANSI B56.6 – 1978. Cab: Resiliently mounted, two door access, level floor with mat, safety glass all round with laminated roof window. Fittings include: Suspension velour/vinyl seat, rear view mirror and 3 speed heater/demister. Front/Rear screen wiper and washer, horn. Handbook. Instruments for hourmeter battery charge. Audible/Visual warning system for alternator charge, coolant temperature, engine oil pressure, blocked air filter, transmission oil pressure and temperature. Warning lights for: main beam, hazard warning, park brake on, direction indicators. Hydraulic control levers, gear lever, park brake, forward/reverse lever, 4WD disconnect, throttle, brake, and transmission disconnect button.

LOAD CENTRE

Complies with FEM
Stability Test 4.001F

