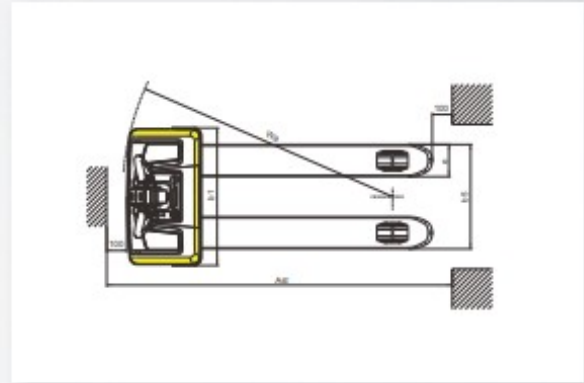
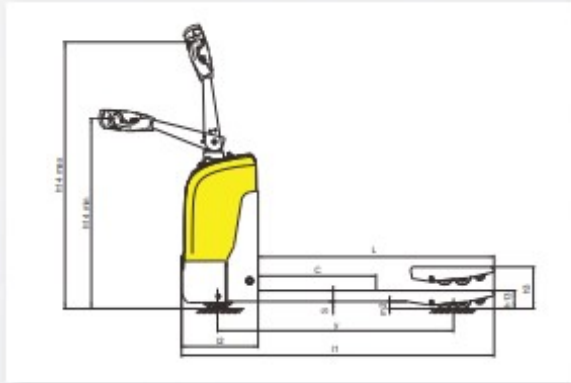


P2.0UTE PALLET JACK

2.0T HYSTER PALLET TRUCK



MODEL	MEASUREMENT	P2.0UTE
Load capacity	Q (kg)	2000
Load centre distance	c (mm)	600
Wheelbase	y (mm)	1130
Fork height, lowered	h13 (mm)	85/75
Tyre size, front	mm	Φ195x70
Tyre size, rear (single)	mm	Φ80x93/Φ74x93
Tyre size, rear (double)	mm	Φ80x70/Φ74x70
Wheels number front rear (x = driven wheels)		1X-2/4
Max. lift height	h3 (mm)	190/180
Height of tiller in drive position min./max.	h14 (mm)	950/1310
Overall length	l1 (mm)	1525/1595
Length to face of forks	l2 (mm)	375
Overall width	b1 (mm)	685
Fork dimensions	s/e/l (mm)	53/160/1150 (1220)
Width overall forks	b5 (mm)	520/550/685
Aisle width for pallets 1000x1200 (1200 crossways)	Ast (mm)	1725/1795
Aisle width for pallets 800x1200 (1200 lengthways)	Ast (mm)	1775/1795
Turning radius	Wa (mm)	1335/1405
Drive motor power	kW	0.9
Lift motor power	kW	0.8
Sound level at the driver's ear according to DIN12503	dB (A)	70
Travel speed, laden/unladen	Km/h	4/4.5
Battery voltage/nominal capacity K20	V/Ah	24/105
Battery dimensions l/w/h	mm	260/169/215
Battery weight	Kg	49
Service weight (with battery)	Kg	250

P2.0UTE Power Plug Type

