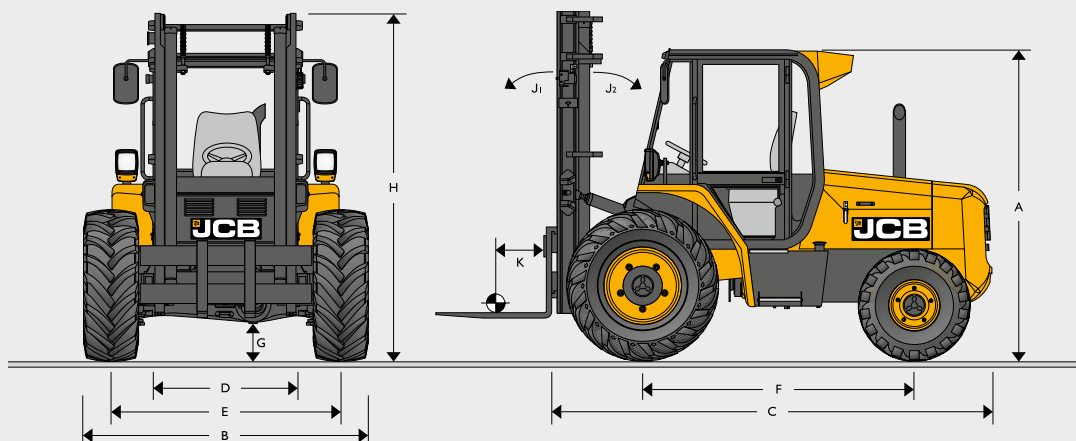


930 RTFL FORKLIFT

3.0T DIESEL FORKLIFT



STATIC DIMENSIONS



			926	930	940
A	Overall cab height	m	2.56	2.56	2.56
B	Overall width (over tyres)	m	2.20	2.20	2.20
C	Overall length to front carriage	m	3.56	3.56	3.64
D	Inside width of cab	m	1.10	1.10	1.10
E	Front track	m	1.80	1.80	1.80
F	Wheel base	m	2.13	2.13	2.21
G	Ground clearance	m	0.30	0.30	0.30
H	Mast closed height				
	3.6m mast	m	2.80	2.80	2.80
	4.5m mast	m	2.49	2.49	2.49
	5.5m mast	m	2.80	2.80	2.80
	6.70m mast	m	3.20	3.20	3.20
	Mast open height				
	3.6m mast	m	4.63	4.63	4.63
	4.5m mast	m	5.46	5.46	5.46
	5.5m mast	m	6.44	6.44	6.44
	6.70m mast	m	7.66	7.66	7.66
J1	Mast tilt forwards	degree	18°	18°	10°
J2	Mast tilt backwards	degree	10°	10°	10°
K	Load centre	m	0.50	0.50	0.50

The above data is based on the following specification: Standard fork size 1067 x 100 x 50mm

WEIGHT

			926	930	940
Overall weight	kg		5910	6340	7500

930 RTFL FORKLIFT

3.0T DIESEL FORKLIFT



926/930/940 ROUGH TERRAIN FORK LIFT

SPECIFICATION

ENGINE

		926/930/940
Model		JCB ECOMAX TCAE-55
Displacement	litres	4.4
Fuel		Diesel
Cooling		Liquid
Bore	mm	103
Stroke	mm	132
Gross power – ISO 14396 @2000 rpm	kW (hp)	55.0 (74)
Gross torque – ISO 14396 @1300 rpm	Nm	400
Emission certification		TIER IV FINAL
Engine oil service intervals		500 hours

TRANSMISSION

		926/930/940
Manufacturer		JCB
Type		Synchromesh
Torque converter		279mm (11")
Torque converter ratio		2.20:1
Gears forward/reverse		4/4
Gear selection		Manual
Shuttle control - F/R		Power shuttle
Travel speeds		kph (mph)
Gear 1		5.3 (3.2)
Gear 2		8.6 (5.3)
Gear 3		16.2 (10.1)
Gear 4		29.7 (18.4)

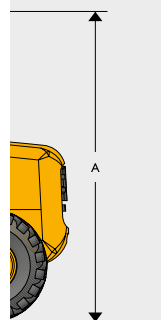
TURN RADIUS AND GROUND LINE ANGLES

		926	930	940
Outside turn radius 2WD	m	4.38	4.38	4.45
Outside turn radius 4WD	m	4.35	4.35	4.92
Departure angle		53°	53°	53°
Obstruction angle		51°	51°	51°

The above data is based on the following specification: Standard fork size: 1067 x 100 x 50mm

TYRES

		926	930	940
Standard Tyres		16.5/85-24	16.5/85-24	16.5/85-24
Front		Traction	Traction	Traction
Rear 2WD		12.5/80-18	12.5/80-18	12.5/80-18
		Rib and bar	Rib and bar	Rib and bar
Rear 4WD		12.5/80-18	12.5/80-18	12.5/80-18
		Traction	Traction	Traction



- 940
- 2.56
- 2.20
- 3.64
- 1.10
- 1.80
- 2.21
- 0.30
- 2.80
- 2.49
- 2.80
- 3.20
- 4.63
- 5.46
- 6.44
- 7.66
- 10°
- 10°
- 0.50

- 940
- 7500