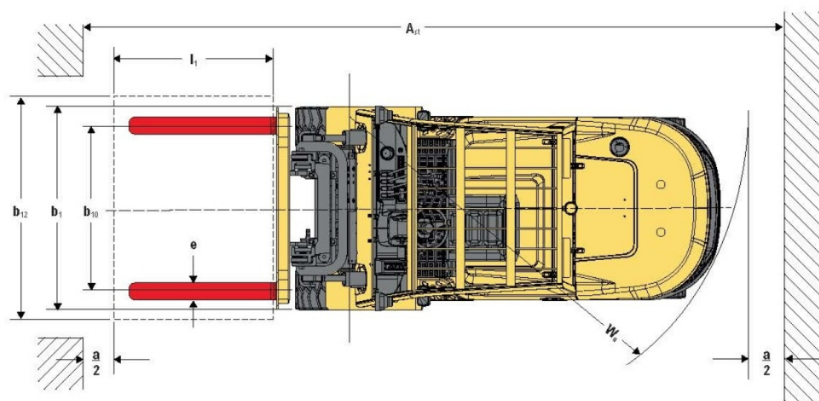
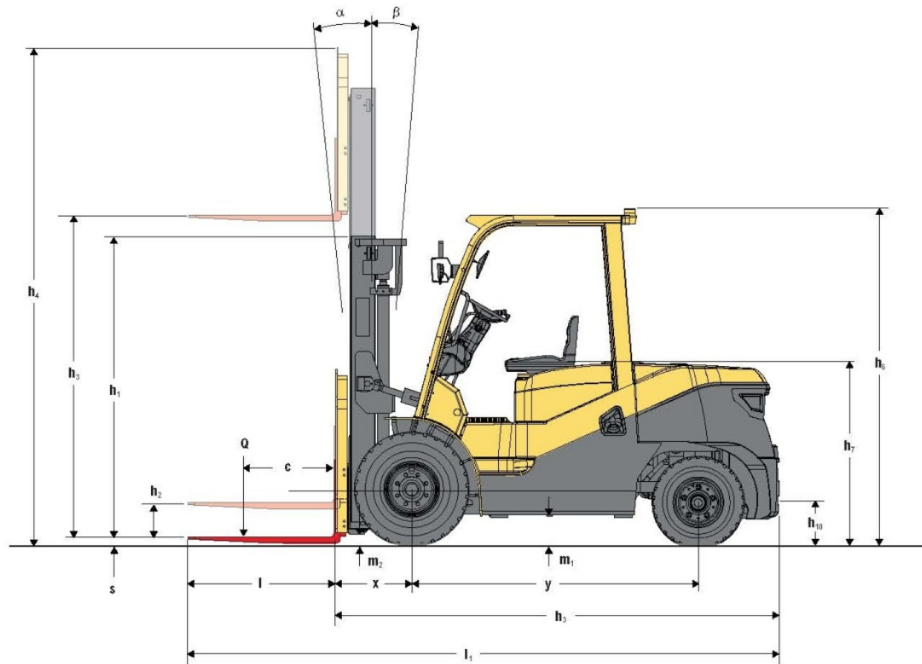


## H4.0UT FORKLIFT

4.0T DIESEL FORKLIFT



### TRUCK DIMENSIONS



## H4.OUT FORKLIFT

### 4.0T DIESEL FORKLIFT



## H4.OUT SPECIFICATIONS

DISTINGUISHING MARK	H4.OUT					
	1.1	1.2	1.3	1.4	1.5	1.6
1.1	Manufacturer					Hyster
1.2	Model designation					H4.OUT
1.3	Drive: electric (battery or mains), diesel, petrol, fuel gas	Diesel	Diesel Stage V	Dual fuel	LPG	
1.4	Operator type: hand, pedestrian, standing, seated, order-pickup					Seat
1.5	Rated capacity/rated load	(kg)				4000
1.6	Load centre distance	(mm)				500
1.8	Load distance, centre of drive axle to fork	(mm)				575
1.9	Wheelbase (with mast vertical)	(mm)				2100
2.1	Service weight	kg				6435
2.2	Axle loading, laden front/rear	kg				9195/1240
2.3	Axle loading, unladen front/rear	kg				3075/3360
3.1	Tyres: Solid rubber, superelastic, pneumatic, polyurethane					pneumatic
3.2	Tyre size, front					300-15-18PR
3.3	Tyre size, rear					7.00-12-12PR
3.5	wheels, number front/rear					2X2
3.6	Tread, front	(mm)				1190
3.7	Tread, rear	(mm)				1130
4.1	Tilt of mast/fork carriage, forward /backward	α /β (°)				6/12
4.2	Height, mast lowered	(mm)				2250
4.3	Free lift	(mm)				150
4.4	Lift	(mm)				3000
4.5	Height, mast extended	(mm)				4260
4.7	Height of overhead guard (cabin)	(mm)				2250 (2400)
4.8	Seat height/stand height	(mm)				1350
4.12	Towing coupling height	(mm)				340
4.19	Overall length	(mm)				4280
4.20	Length to face of forks	(mm)				3210
4.21	Overall width, std/dual	(mm)				1490/1924
4.22	Fork dimensions ISO2331	(mm)				50/150/1070
4.23	Fork carriage ISO 2328, Class/type, A/B					ISO 3A
4.24	Fork carriage width	(mm)				1380
4.31	Ground clearance, laden, below mast	(mm)				155/130
4.32	Ground clearance, centre of wheelbase	(mm)				186
4.33	Load dimension b 12 *6 crossways					1000x1000
4.34	Aisle width with predetermined load dimensions	(mm)				4695
4.34.1	Aisle width with pallets 1000 mm x 1200 mm crossways	(mm)				4825
4.34.2	Aisle width with pallets 800 mm x 1200 mm crossways	(mm)				4825
4.35	Turning radius	(mm)				2850
4.36	Internal turning radius	b13				845
5.1	Travel speed, laden/unladen	km/h	Shift 2: 24/25 Shift 1: 17/18	Shift 2: 22/24 Shift 1: 15/16	Shift 2: 25/28 Shift 1: 18/19	Shift 2: 26/28 Shift 1: 18/19
5.1.1	Travel speed, laden/unladen, backwards	km/h	Shift 1: 19/20	Shift 1: 17/19	Shift 1: 21/22	
5.2	Lifting speed, laden/unladen	mm/s	530/560			
5.3	Lowering speed, laden/unladen	mm/s	480/500			
5.6	Max. drawbar pull laden/unladen	N	30000/23000	25000/21000	31500/30000	33000/32000
5.7	Gradeability, laden/unladen	%	24/25	20/25	24/25	25/25
5.9	Acceleration time, laden/unladen	sec	with load: 5.05(S1)/4.76(S2) without load: 4.15(S1)/3.95(S2)		with load: 5.07(S1)/4.78(S2) without load: 4.15(S1)/3.95(S2)	
5.10	Service brake	hydraulic				
7.1	Engine manufacturer/type	Mitsubishi S6S		Kubota V3800-CR-TE5CB-HYM-1	Kubota WG3800-GL-C	Kubota WG3800-L-C
7.2	Engine power according to DIN ISO 1585	Kw	52	55.4	57.6	63.2
7.3	Rated speed	min-1	2300	2200	2400	
7.4	Number of cylinders/displacement	-/cm <sup>3</sup>	6/4996		4/3769	
7.5	Fuel consumption according to VDI cycle	l/h or kg/h	7.02 l/h or 5.9 kg/h		6.15 kg/h	6.24 kg/h
7.6	Turnover output	l/h	270 l/h		280 l/h	286 l/h
7.7	Energy consumption at turnover output	l/h or kg/h	9.26 l/h or 7.77 kg/h		7.93 kg/h	8.16 kg/h
7.8	Generator	A	35			
7.9	Vehicle electrical system voltage	V	24			
7.10	Battery voltage/nominal capacity	V/Ah	2-12/60		12/120	12/90
8.1	Type of drive unit	E-Hydraulic				
10.1	Operating pressure for attachments	bar	195			
10.2	Oil volume for attachments	l/min	70			
10.4	Fuel tank capacity	L	100			
10.7	Sound pressure level at the driver's seat	dB (A)	88		88	
10.7.1	Sound power level during the workcycle	dB (A)	109.6	99.7	109.6	
10.8	Towing coupling, type DIN	PIN				